



20 Qt. Gear-Driven Planetary Stand Mixer

ITEM NUMBER

#177MX20

SPECIAL FEATURES

- Powerful 3-speed, 1.5 HP motor; gear driven transmission to withstand daily use
- #12 attachment hub for added versatility; accepts meat grinders, vegetable cutters, and other attachments
- 20 Qt. 304 stainless steel bowl with handles; wire bowl guard for added safety
- Includes stainless steel wire whip, cast aluminum dough beater, and dough hook
- Easy to use with simple on/off buttons and manually operated bowl lift



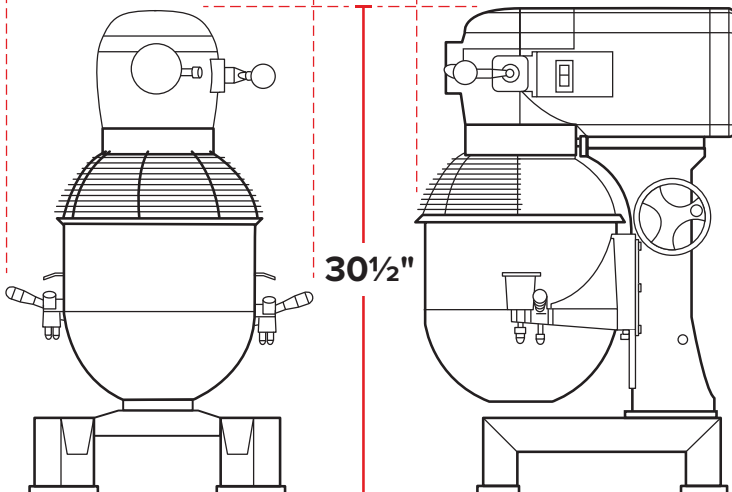
FRONT

17 7/8"

SIDE

21"

30 1/2"



TECHNICAL DATA

Width	17 7/8"
Depth	21"
Height	30 1/2"
Voltage	110V
Wattage	1,100W
Hertz	60Hz
Amps	10 Amps
Phase	1
Horsepower	1.5 HP
Speeds	3
RPM	154-278 RPM
Capacity	20 Qt.



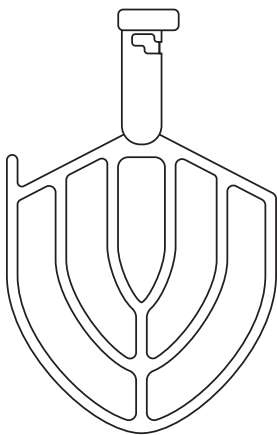
5-15P

20 Qt. Gear-Driven Planetary Stand Mixer #177MX20

MIXER CAPACITIES

Ingredient Type	Agitator	Speed	177MX10	177MX20	177MX30	177MX40	177MX60
Bread and Roll Dough (60% AR)	Dough Hook	1st Only	5 LB.	20 LB.	25 LB.	30 LB.	50 LB.
Heavy Bread Dough (55% AR)	Dough Hook	1st Only	3 LB.	15 LB.	20 LB.	25 LB.	40 LB.
Pizza Dough, Thin (40% AR)	Dough Hook	1st Only	Not Recommended	Not Recommended	10 LB.	15 LB.	25 LB.
Pizza Dough, Medium (50% AR)	Dough Hook	1st Only	Not Recommended	Not Recommended	15 LB.	20 LB.	35 LB.
Pizza Dough, Thick (60% AR)	Dough Hook	1st Only	Not Recommended	Not Recommended	25 LB.	30 LB.	40 LB.
Raised Donut Dough (65% AR)	Dough Hook	1st & 2nd	2 LB.	8 LB.	12.5 LB.	17.5 LB.	25 LB.
Mashed Potatoes	Flat Beater	All Speeds	5 LB.	12.5 LB.	15 LB.	20 LB.	35 LB.
Waffle or Pancake Batter	Flat Beater	All Speeds	4 QT.	8 QT.	10 QT.	15 QT.	20 QT.
Cake Batter	Flat Beater	All Speeds	8 LB.	20 LB.	20 LB.	25 LB.	35 LB.
Egg Whites (Meringue)	Wire Whip	All Speeds	1 PT.	1 QT.	1.5 QT.	1.75 QT.	2 QT.
Whipped Cream	Wire Whip	All Speeds	1 QT.	2 QT.	3 QT.	4 QT.	6 QT.

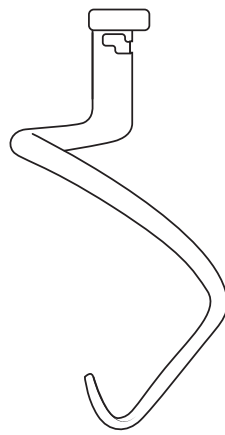
ACCESSORIES



FLAT BEATER

#177MX (10/20/30/40/60) BEAT

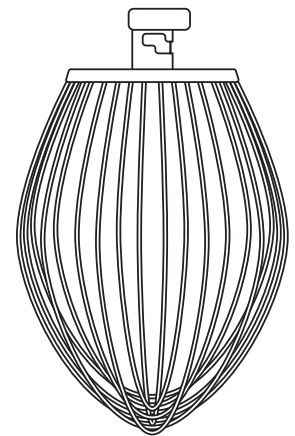
- Made of durable cast aluminum
- Ideal for normal to thick batters like cake mixes and hard cookie dough



DOUGH HOOK

#177MX (10/20/30/40/60) HOOK

- Made of durable cast aluminum
- Ideal for bread, donut & pizza dough



WIRE WHIP

#177MX (10/20/30/40/60) WHIP

- Made of durable stainless steel
- Ideal for making icing, fillings, meringue, and whipped cream