



11 Qt. Round Countertop Food/Soup Kettle Warmer

ITEM NUMBER

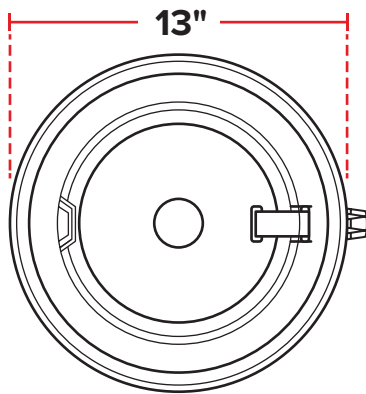
#177S30

SPECIAL FEATURES

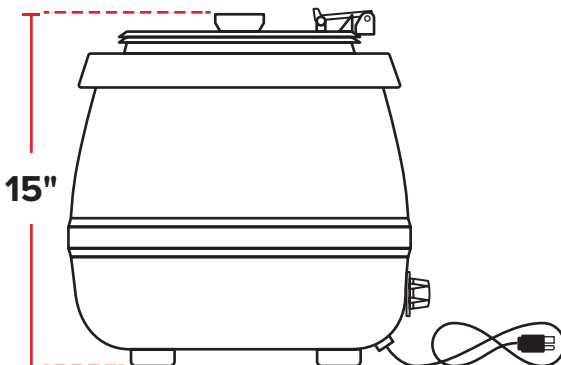
- Great for keeping soups and sauces at perfect temperature with fully adjustable control
- Includes hinged lid, ring, 11 qt. stainless steel inset, and 14 popular soup and stew labels
- Durable stainless steel inset and interior lining are removable and dishwasher safe for easy clean up
- Cool-touch handle and hinged lid design for safety and ladle storage when not in use
- 120V, 400W



TOP



SIDE



TECHNICAL DATA

Height	15"
Diameter	13"
Voltage	120V
Wattage	400W
Hertz	60Hz
Amps	3.3 Amps
Capacity	11 qt.
Control Type	Dial
Temperature Range	105-195°F
Inset Material	Stainless Steel
Exterior Color	Black



5-15P