



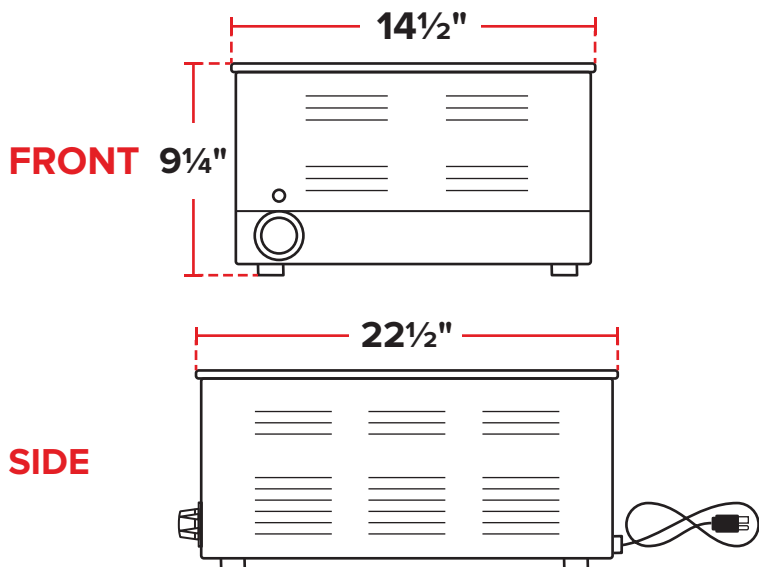
# Full Size Electric Countertop Food Cooker/Warmer

## ITEM NUMBER

#177W50CKR

## SPECIAL FEATURES

- Cooks and holds your products at foodsafe temperatures
- Durable stainless steel food well
- Holds a full size 12" x 20" food pan or fractional size food pans (sold separately)
- 120-212°F temperature range; reaches 212°F in less than 30 minutes



## TECHNICAL DATA

Interior Dimensions	12" x 20" x 6¼"
Exterior Dimensions	14½" x 22½" x 9¼"
Temperature Range	120-212°F
Voltage	120V
Wattage	1500W
Hertz	60Hz
Amps	12.5 Amps
Phase	1



Intertek



Intertek



5-15P