

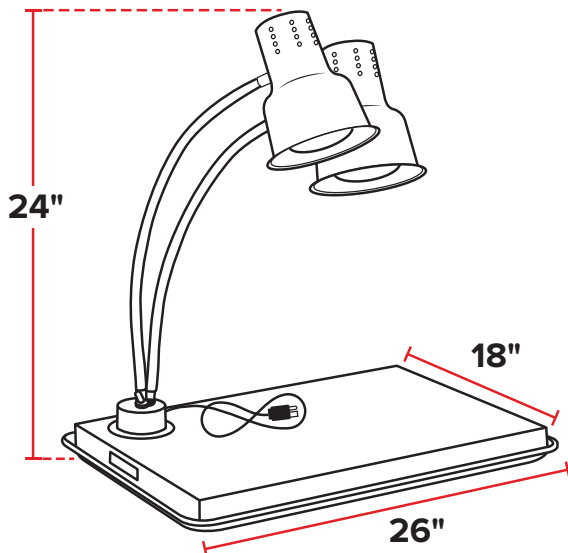
24" Stainless Steel Dual Arm Carving Station Kit

ITEM NUMBER

#177CST24DSS

SPECIAL FEATURES

- Includes double arm 500W heat lamp, cutting board, drip pan, and mounting screws
- Perfect for commercial kitchens and caterers
- Flexible arm construction to move the lamp as needed
- Drilled stainless steel shade with an attractive stainless steel finish
- Durable cutting board is made from long-lasting rubberwood



TECHNICAL DATA

Exterior Dimensions	26"L x 18"W x 24"H
Board Dimensions	26"L x 16"W x 1 ³ / ₄ "H
Drip Pan Dimensions	26"L x 18"W x 1 ¹ / ₈ "H
Voltage	120V
Number of Bulbs	2
Wattage	500W
Color	Stainless Steel



5-15P