

Avantco GDC-12F-HC 27" Black Swing Glass Door Merchandiser Freezer with LED Lighting

Item #178GDC12FHCB



Technical Data

| | |
|-------------------------|-----------------|
| Width | 27 3/16 Inches |
| Depth | 26 3/16 Inches |
| Height | 84 13/16 Inches |
| Power Cord Length | 84 Inches |
| Interior Width | 21 1/4 Inches |
| Left Door Opening Width | 21 5/16 Inches |
| Interior Depth | 19 1/4 Inches |
| Interior Height | 55 1/8 Inches |
| Caster Diameter | 4 Inches |
| Amps | 5.18 Amps |

Features

- 1 self-closing, anti-fog dual-pane tempered glass swing door with magnetic gaskets
- Easy-to-use digital temperature controls, temperature range: -7 - 0
- Includes 4 adjustable, plastic-coated steel shelves
- Interior LED lighting; 4" casters included
- 115V, 5/6 hp, R290 refrigerant

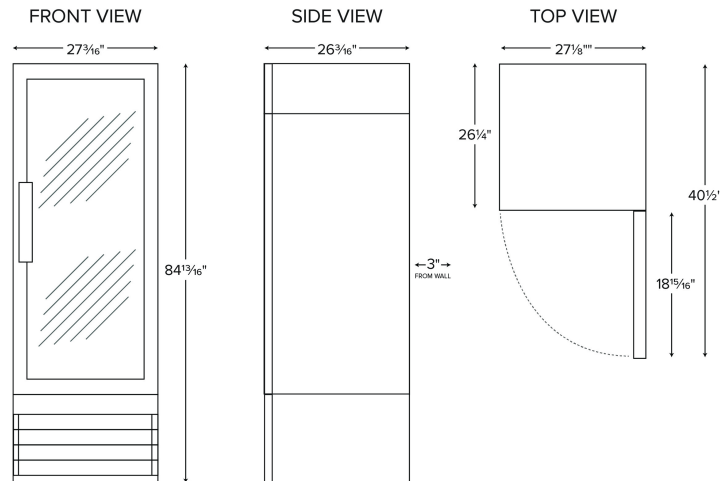
Certifications



Technical Data

| | |
|---------------------------|--|
| Hertz | 60 Hertz |
| Phase | 1 Phase |
| Voltage | 115 Volts |
| Access Type | Doors |
| BTU (LBP) | 2075 BTU |
| Capacity | 12.89 cu. ft. |
| Casters | With Casters |
| Color | Black |
| Compressor Location | Bottom Mounted |
| Door Style | Swing |
| Door Type | Glass |
| Features | Customizable LED Lighting Lighted Interior Self-Closing Doors |
| Horsepower | 5/6 HP |
| Individual Shelf Capacity | 90 lb. |
| Interior Color | White |
| Number of Doors | 1 Doors |
| Number of Shelves | 4 Shelves |
| Plug Type | NEMA 5-15P |
| Refrigerant Capacity | 4.1 oz. |
| Refrigerant Type | R-290 |
| Sections | 1 Section |
| Temperature Range | -7 - -0 Degrees F |
| Type | Merchandising Refrigeration |

Plan View



178GDC12FHCB



Notes & Details

Increase impulse sales of frozen meals, novelty treats, fruits, and vegetables with this Avantco GDC-12F-HC 27 1/8" black merchandising freezer! Designed with sharp looks and usability in mind, this unit is the perfect display for your products with its sleek finish. And, since the housing is made from black coated steel, you can be sure that it will provide superior durability. This unit boasts an anti-fogging, dual-pane tempered glass swing door to ensure that customers always have a clear view of your products, while (4) epoxy coated steel shelves help you stay organized. Plus, the shelves easily adjust to accommodate prepackaged foods in a variety of sizes. Interior LED lighting also works to illuminate and further merchandise your products.

Designed to maintain temperatures from -8 to -1 degree Fahrenheit, this freezer boasts a bottom-mounted 5/6 hp compressor that runs on R290 refrigerant. This specialized refrigerant has an ozone depletion potential (ODP) of 0 and a global warming potential (GWP) of 3. In addition, the bottom-mounted design makes it easy for employees to load and unload products due to the raised bottom shelf. For optimal temperature retention, the entire cabinet is foamed-in place using polyurethane insulation. Other helpful features include self-closing aided by magnetic gaskets, automatic defrosting, as well as a digital temperature control and display. This item requires a 115V electrical connection for operation.

⚠ WARNING: This product can expose you to chemicals including lead, which are known to the State of California to cause cancer, birth defects, or other reproductive harm. For more information, go to www.p65warnings.ca.gov.