

PROJECT: _____
 MODEL: _____
 ITEM #: _____ QUANTITY: _____
 APPROVAL: _____ DATE: _____



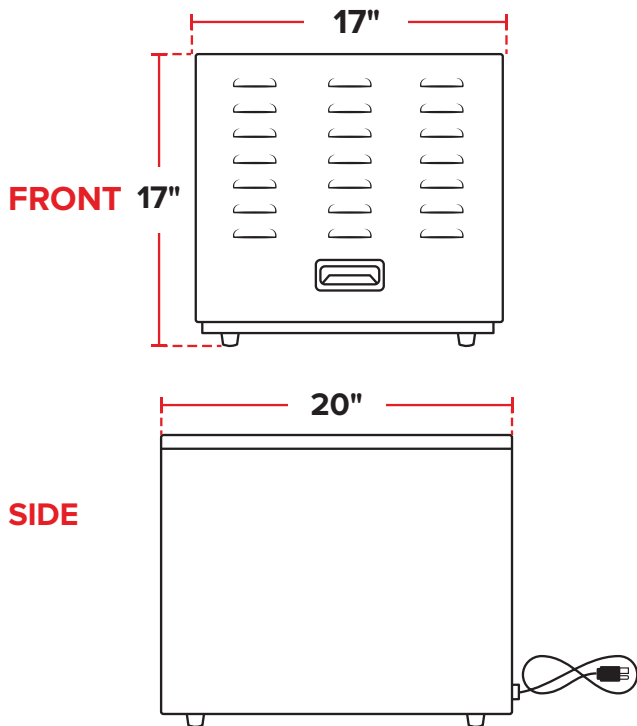
Ten Tray Food Dehydrator with Removable Door

ITEM NUMBER

#177CFD10

SPECIAL FEATURES

- Great for dehydrating fruits, herbs, beef, jerky, fruit leathers, and more
- Includes (10) 14½" x 16" removable chrome-plated racks for high capacity & easy cleaning
- Adjustable temperature range: 85-160°F and 12 hour timer for precision
- Attractive, durable stainless steel construction is perfect for commercial kitchens
- Removable door makes it easy to add and remove trays



TECHNICAL DATA

Dimensions	17" x 20" x 17"
Temperature Range	85-160°F
Number of Shelves	10
Shelf Size	14½" x 16"
Drying Space	15 Sq. Ft.
Voltage	120V
Watts	1000W
Amps	8.3
Hertz	60

