

PROJECT: \_\_\_\_\_

MODEL: \_\_\_\_\_

ITEM #: \_\_\_\_\_ QUANTITY: \_\_\_\_\_

APPROVAL: \_\_\_\_\_ DATE: \_\_\_\_\_



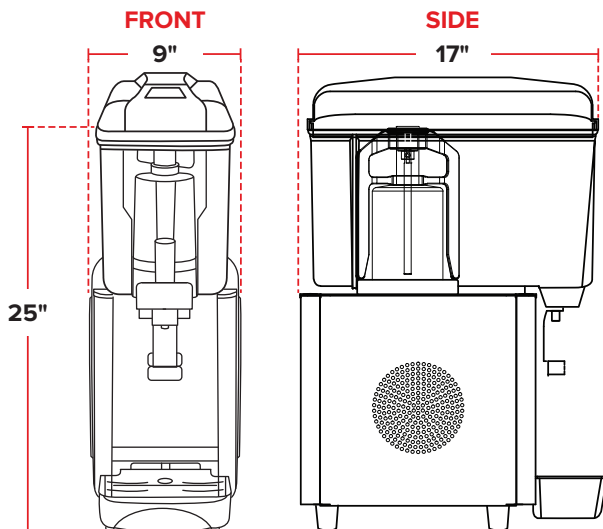
## 3 Gallon Single Bowl Refrigerated Beverage Dispenser

### ITEM NUMBER

#177RDM31

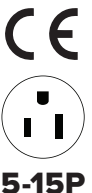
### SPECIAL FEATURES

- Crystal clear 3 gallon polycarbonate bowl prominently displays beverages
- Separate on/off switches for power and stirring paddle
- Manual temperature control from 32-50°F
- Durable stainless steel dispense valve, handle, and cooling cylinder with magnetic drive paddle



### TECHNICAL DATA

Exterior Dimensions	9" x 17" x 25"
Total Capacity	3 Gallons
Number of Bowls	1
Temperature Range	32-50°F
Voltage	120V
Phase	1



5-15P