



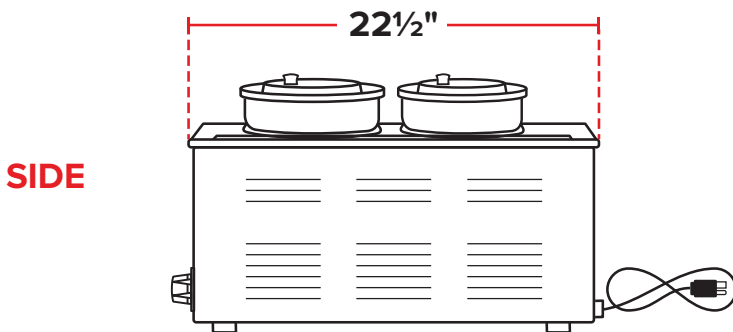
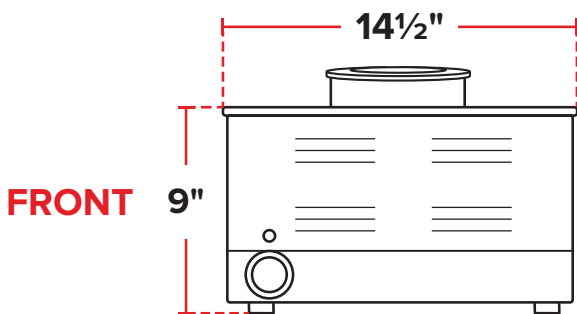
Full Size Electric Countertop Food Warmer

ITEM NUMBER

#177WK12007X2

SPECIAL FEATURES

- Maintains foodsafe temperatures for hours
- Stainless steel water well with leveling marks
- Powerful 1200W heating elements
- Includes a steam table adapter, (2) 7 qt. insets, 2 lids, and 2 ladles



TECHNICAL DATA

Interior Dimensions	12" x 20" x 6¼"
Exterior Dimensions	14½" x 22½" x 9"
Temperature Range	140° F
Voltage	120V
Wattage	1200W
Hertz	60Hz
Amps	10 Amps
Phase	1
Material	Stainless Steel



5-15P