

PROJECT:	_____
LOCATION:	_____
ITEM#:	_____
QUANTITY:	_____


**C-SPS-1-18**

**C-SPS-2-18**

# STOCK POT STOVES

- Heavy duty cast iron removable trivets
- 40,000 BTU manually controlled burners
- Bottom extra storage area
- Beautiful ergonomic design and easy to clean
- High polished, stainless steel exterior and chrome temperature knobs
- (4) adjustable stainless steel feet
- Comes standard as natural gas with L.P orifice kit for in-field conversion
- Migali Industries® Protection Plan: 1 Year Parts & Labor Warranty

MODEL	BURNERS	TOTAL BTU NATURAL GAS / LP	PER BTU NATURAL GAS / LP	IN TAKE TUBE PRESSURE (w.c.) NATURAL GAS / LP	NOZZLE NO. NATURAL GAS / LP	IGNITION	VALVE TYPE	TOP PLATE SIZE W X D	EXTERIOR DIMENSIONS W X D X H	PACKAGED DIMENSIONS W X D X H	WEIGHT	PACKAGED WEIGHT
C-SPS-1-18	2	80,000	40,000 BTU/h	4 /10	#32 / #49	Manual	Pilot Light	(1) 17.8" x 20.9"	18" x 20.9" x 22.8"	20.9" x 24.8" x 25"	106 lbs.	119 lbs.
C-SPS-2-18	4	160,000	40,000 BTU/h	4 /10	#32 / #49	Manual	Pilot Light	(2) 17.8' x 20.9"	18" x 41.7" x 22.8"	20.9" x 45.7" x 25"	202 lbs.	222 lbs.

\* MIGALI® RESERVES THE RIGHT TO CHANGE SPECIFICATIONS WITHOUT NOTICE

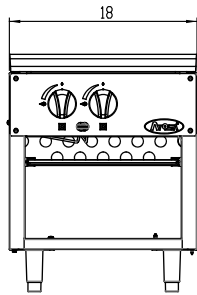
Gas Connection: 3/4" NPT on the right

Clearance for combustibile work area: 6" rear & 15" sides

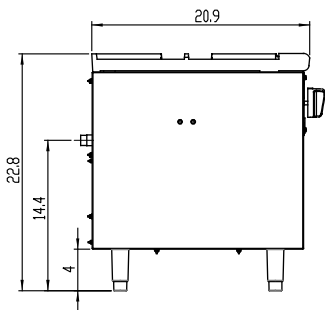
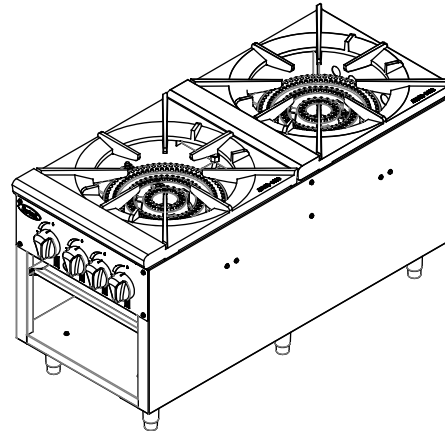
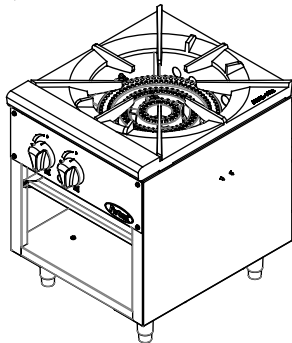
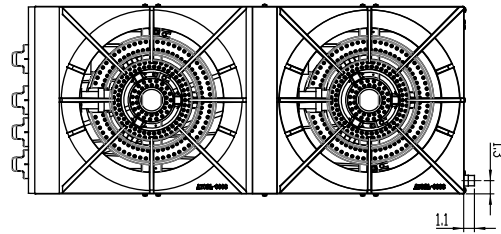
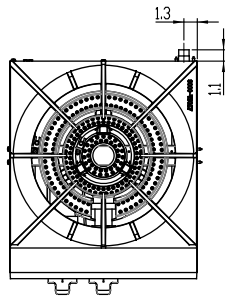
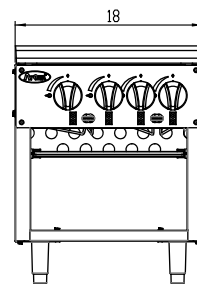
Altitudes over 2,000 feet may need high altitude orifice adjustments to deliver BTU output listed

# DIMENSIONAL DRAWINGS

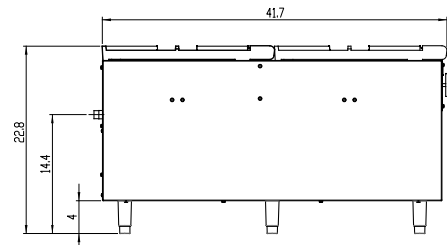
C-SPS-1-18



C-SPS-2-18



SIDE VIEW



**Migali**

MIGALI® REMAINS AN AMERICAN FAMILY COMPANY SINCE 1955