

Project _____

Item 177ef20e Quantity _____

Approval _____ Date _____

Galaxy EF20E 20 lb. Dual Tank Electric Countertop Fryer - 110V, 3300W

Item #177EF20E

Special Features

- Durable stainless steel construction
- Great for light-duty use
- 3300W of frying power in 2 large 10 lb. capacity tanks
- Fryer basket has a coated, heat resistant handle for comfortable use
- Features a temperature regulator with a yellow hot light to signal the desired temperature has been reached

Technical Data

Width	25 Inches
Depth	16 3/4 Inches
Height	11 1/2 Inches
Fry Pot Width	7 1/4 Inches
Fry Pot Depth	8 1/4 Inches
Fry Pot Height	4 1/2 Inches
Amps	30 Amps
Hertz	60 Hertz
Phase	1 Phase
Voltage	110 Volts
Wattage	3.3 Kilowatts
Application	Light Duty
Burner Style	Tube
Cabinet	Stainless Steel
Capacity	20 lb.
Capacity per Fry Pot	10 lb.
Number of Fry Baskets	2 Fry Baskets
Number of Fry Pots	2 Fry Pots
Plug Type	NEMA 5-15P
Power Type	Electric
Split Pot	Without Split Pot
Temperature Range	140 - 370 Degrees F
Type	Electric Countertop Fryers



Certifications

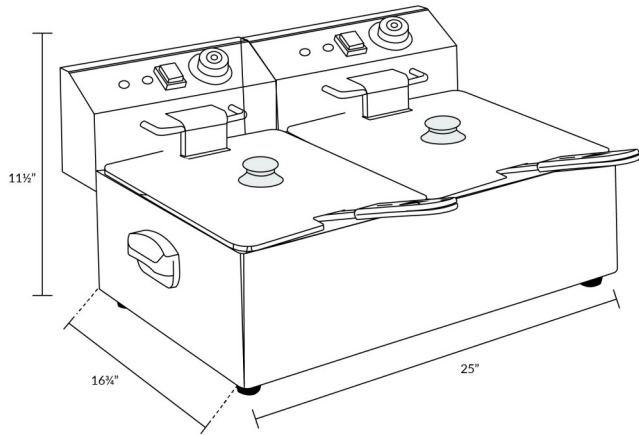


5-15P



ETL US & Canada

Technical Drawing



⚠ WARNING: This product can expose you to chemicals including lead, which are known to the State of California to cause cancer, birth defects, or other reproductive harm. For more information, go to www.p65warnings.ca.gov.