

## Galaxy EF10E 10 lb. Electric Countertop Fryer - 110V, 1600W

Item #177EF10E

### Special Features

- Durable stainless steel construction
- Great for light-duty use
- 1600W of frying power in a large 10 lb. capacity tank
- Fryer basket has a coated, heat resistant handle for comfortable use
- Features a temperature regulator with a yellow hot light to signal the desired temperature has been reached

### Technical Data

<b>Width</b>	12 1/2 Inches
<b>Depth</b>	16 3/4 Inches
<b>Height</b>	11 1/2 Inches
<b>Fry Pot Width</b>	7 1/4 Inches
<b>Fry Pot Depth</b>	8 1/4 Inches
<b>Fry Pot Height</b>	4 1/2 Inches
<b>Amps</b>	15 Amps
<b>Hertz</b>	60 Hertz
<b>Phase</b>	1 Phase
<b>Voltage</b>	110 Volts
<b>Wattage</b>	1600 Watts
<b>Application</b>	Light Duty
<b>Burner Style</b>	Tube
<b>Cabinet</b>	Stainless Steel
<b>Capacity</b>	10 lb.
<b>Capacity per Fry Pot</b>	10 lb.
<b>Maximum Temperature</b>	370 Degrees F
<b>Number of Fry Baskets</b>	1 Fry Baskets
<b>Number of Fry Pots</b>	1 Fry Pots
<b>Plug Type</b>	NEMA 5-15P
<b>Power Type</b>	Electric
<b>Split Pot</b>	Without Split Pot
<b>Temperature Range</b>	140 - 370 Degrees F
<b>Type</b>	Electric Countertop Fryers



### Certifications

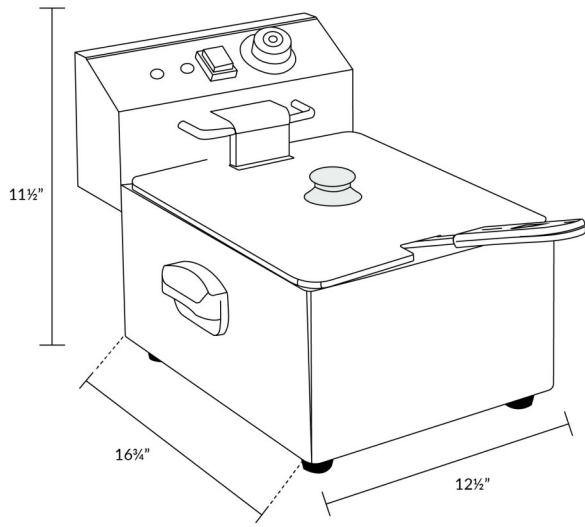


5-15P



ETL US & Canada

Technical Drawing



**⚠ WARNING:** This product can expose you to chemicals including lead, which are known to the State of California to cause cancer, birth defects, or other reproductive harm. For more information, go to [www.p65warnings.ca.gov](http://www.p65warnings.ca.gov).