



WCM3

3kg Chocolate Melter



3kg Chocolate Melter



MAIN FEATURES

- Two sizes:
 - WCM3 3kg/6.61 lb. (65W/120V)
 - WCM6 6kg/13.23 lb. (130W/120V)
- Probe ensures most accurate temperature reading (included)
- Temperature range from 68° F/20° C to 140° F/60° C
- Accurate temperature control with LCD digital screen display
- Housing rim designed to prevent chocolate from seeping under the pan
- Lid cutouts accommodate a ladle and probe
- Limited One Year Warranty

ELECTRICAL

Voltage: 120

Frequency: 60 Hz

Watts: 125

Amps: 0.5

Plug Type: 5-15 ⓘ

Cord Length: 3 feet



SALES FEATURES

The perfect temperature for the ideal consistency, the Waring® Chocolate Melter liquefies pure chocolate for dipping, candy making or ladling over your signature desserts. The melter features water-resistant touch controls and an LCD digital screen with readout in Celsius or Fahrenheit. It shows you the set temperature and the probe temperature—a Ready indicator appears when the temperatures match. The unit heats up gently and holds its temperature with no hotspots. It's easy to clean and available in two sizes.



@waringcommercial

©2020Waring Commercial
314 Ella T. Grasso Avenue, Torrington, CT 06790
Tel. 800-492-7464 • Fax 860-496-9008

waringcommercialproducts.com

WCM3



PARTS & ACCESSORIES



WCM3LID Lid Replacement for WCM3



WCM3PRB Probe for WCM3 and WCM6

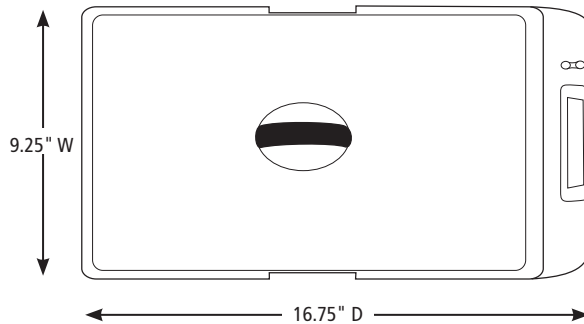
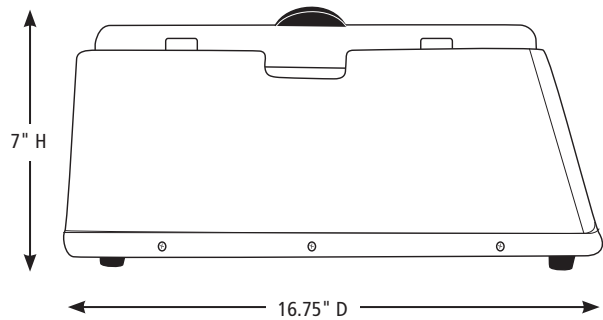
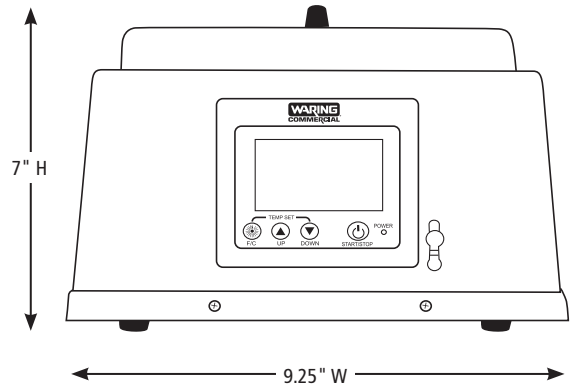


WCM3SSPAN Pan Replacement for WCM3



WCM3PRBC Probe Clip Holder for use with WCM3PRB

DIMENSIONS



Out of Box Weight: 4 lb.

ORDERING INFORMATION	#STD. PKG.	GIFTBOX WEIGHT	CUBIC FEET	BOX DIMENSIONS L X W X H	UPC	CASE PKG.	MC WEIGHT	MC DIMENSIONS L X W X H	MBC
WCM3 – 3kg Chocolate Melter	1	4	.93	11.26" x 17.6" x 8.1"	040072037696	4	27.4	23.5" x 18.6" x 16"	10040072037693

