


Ultra-2 HP Manual Fill Coastal STD Hdl

32.0" x 24.5" x 16.0"
(81.3cm x 62.2cm x 40.6cm)



 Servers and airpots sold separately

- Two large 3gal (11.4L) hoppers for optimum cooling and serving capacity
- Enhanced “no-lube” design on faucets and seals which simplifies installation and cleaning
- Full 2-year parts and 1-year labor warranty. 5-year parts and 1-year labor warranty on compressor and 3-year parts and labor warranty on electronics. See the product manual for additional details.
- Refrigeration system internally monitored to ensure long lasting performance
- Reversing auger design quickens freeze time and reduces air mixing
- Very simple to program and run with touchpad display, which also guides cleaning and preventive maintenance
- Sanitation listed by NSF to Standard 18 (includes dairy & alcohol)
- Specially coated metal parts to resist effects of coastal environments

Agency:



Specifications

Product #: 34000.0575

Water Access: Not Plumbed

Finish: Stainless/White

Hoppers: Two

Handle: Standard Handle

Additional Features

Electrical & Capacity

Volts	Amps	Watts	Cord Attached	Plug Type	8oz cups/hr 236ml cups/hr	Input H ² O Temp.	Phase	# Wires plus Ground	Hertz
120	12	1440	Yes	NEMA 5-15P	-	60°F (15.5°C)	1	2	50/60

Plumbing Requirements

PSI	kPa	Fitting Supplied	Water Flow Required (GPM)
-	-	-	-

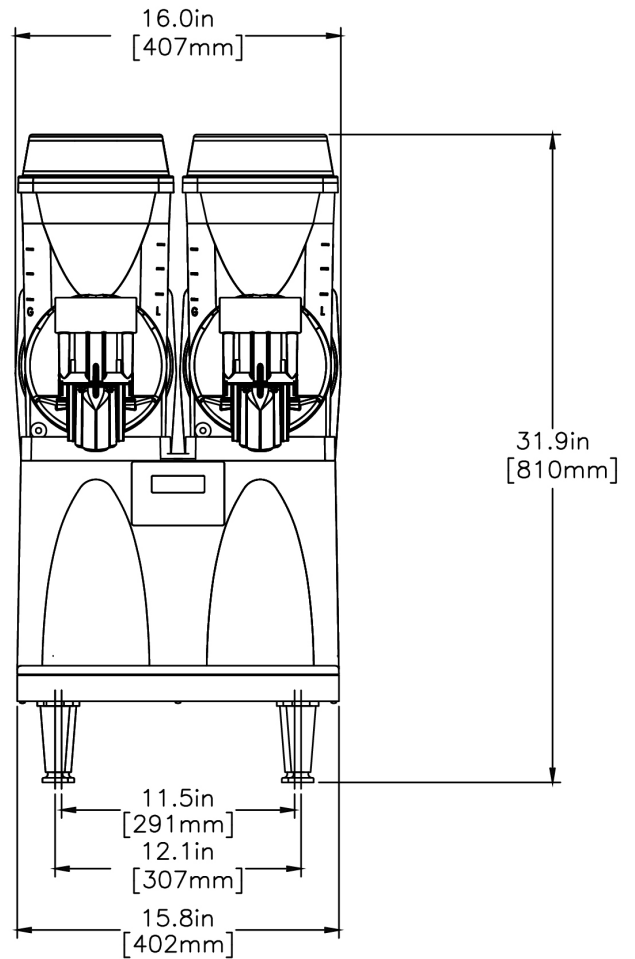
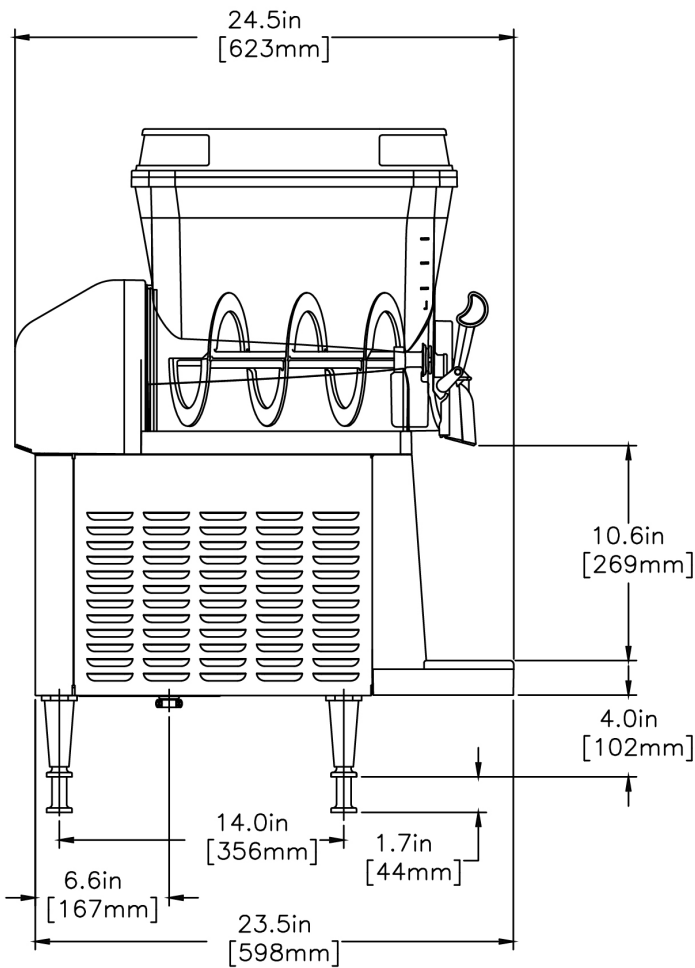
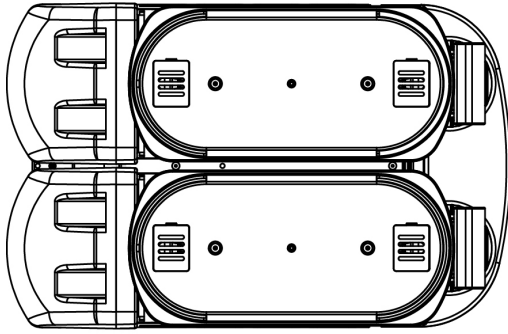
CAD Drawings

2D	Revit	KLC
●		



BUNN® reserves the right to change specifications and product design without notice. Such revisions do not entitle the buyer to corresponding changes, improvements, additions or replacements for previously purchased equipment. For most current specifications and other info visit bunn.com.

Created on:
06/30/2017



Unit			Shipping					
	Width	Height	Depth	Width	Height	Depth	Weight	Volume
English	16.0 in.	32.0 in.	24.5 in.	-	-	-	137.000 lbs	-
Metric	40.6 cm	81.3 cm	62.2 cm	-	-	-	62.143 kgs	-



BUNN® reserves the right to change specifications and product design without notice. Such revisions do not entitle the buyer to corresponding changes, improvements, additions or replacements for previously purchased equipment. For most current specifications and other info visit bunn.com.

Created on:
06/30/2017

Related Products & Accessories: Ultra-2 HP Manual Fill Coastal STD Hdl(34000.0575)



DRIP TRAY ASSY,
LOWER

Product #: 28086.0000



CHAROLA DE GOTEO

Product #: 28086.0000

COVER, DRIP TRAY
ULTRA 2 WHT

Product #: 32068.0000

CHAROLA DE GOTEO

Product #: 32068.0000



BUNN® reserves the right to change specifications and product design without notice. Such revisions do not entitle the buyer to corresponding changes, improvements, additions or replacements for previously purchased equipment. For most current specifications and other info visit bunn.com.

Created on:
06/30/2017

Serving & Holding Options: Ultra-2 HP Manual Fill Coastal STD Hdl(34000.0575)

Serving and Holding selections are currently unavailable. Please contact your sales representative to find out more information.



BUNN® reserves the right to change specifications and product design without notice. Such revisions do not entitle the buyer to corresponding changes, improvements, additions or replacements for previously purchased equipment. For most current specifications and other info visit bunn.com.

Created on:
06/30/2017