

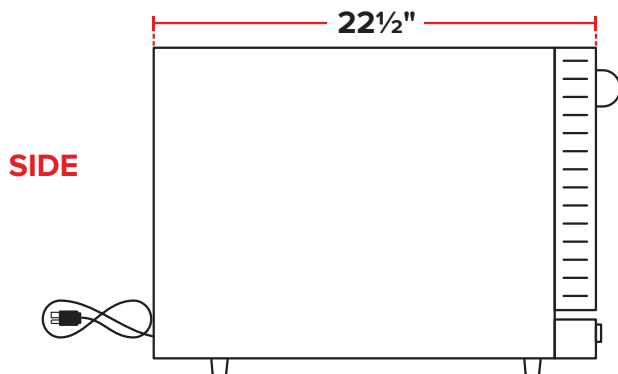
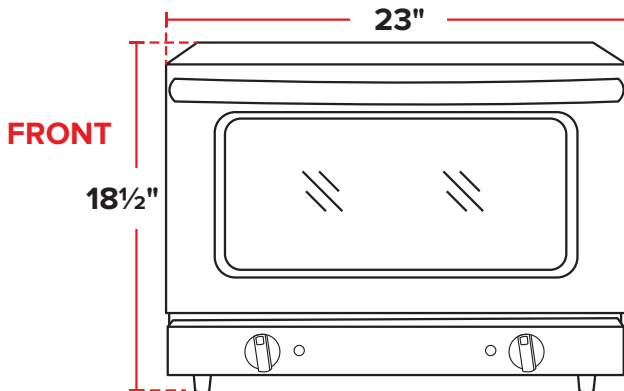
Half Size Countertop Convection Oven

ITEM NUMBER

#177CO16

SPECIAL FEATURES

- Holds (4) 1/2 size sheet pans
- Heat settings from 150-500°F
- Cool-touch dual pane glass door
- Stainless steel construction
- Forced-air circulation for even cooking
- 120 minute timer helps track cooking progress; operates with dial control



TECHNICAL DATA

Exterior Dimensions	23" x 22 1/2" x 18 1/2"
Interior Dimensions	18 1/2" x 14 1/2" x 9 3/4"
Capacity	1.5 Cu. Ft.
Rack Capacity	(4) 1/2 Size Sheet Pans
Amps	13.3 Amps
Voltage	120V
Wattage	1600W
Hertz	60
Phase	1



5-15P