



2 Bulb Food Warmers



Item: 177W62, 177W62BLK, 177W62GLD,
177W62GRN, 177W62RD, 177W62SS

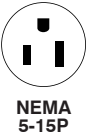
12/2020



Please read and keep these instructions. Indoor use only.

Specifications

	177W62	177W62BLK	177W62GLD	177W62GRN	177W62RD	177W62SS
Voltage	120V	120V	120V	120V	120V	120V
Wattage	500W (250W per bulb)	500W (250W per bulb)	500W (250W per bulb)	500W (250W per bulb)	500W (250W per bulb)	500W (250W per bulb)
Bulbs	2	2	2	2	2	2
Color	Silver	Black	Gold	Green	Red	Stainless Steel



Introduction

1. Please read instructions before using this appliance.
2. When using electrical appliances, basic precautions should always be followed to reduce the risk of fire, electric shock, or injury.
3. Clean machine thoroughly before and after each use following the cleaning instructions provided below.

Electrical Requirements

Plug warmer into a grounded outlet with correct voltage and sufficient power capacity. Refer to the product label (serial plate) on the warmer for voltage and wattage requirements.

Safety Instructions



WARNING! All power must be disconnected at power source before any service procedure is performed.

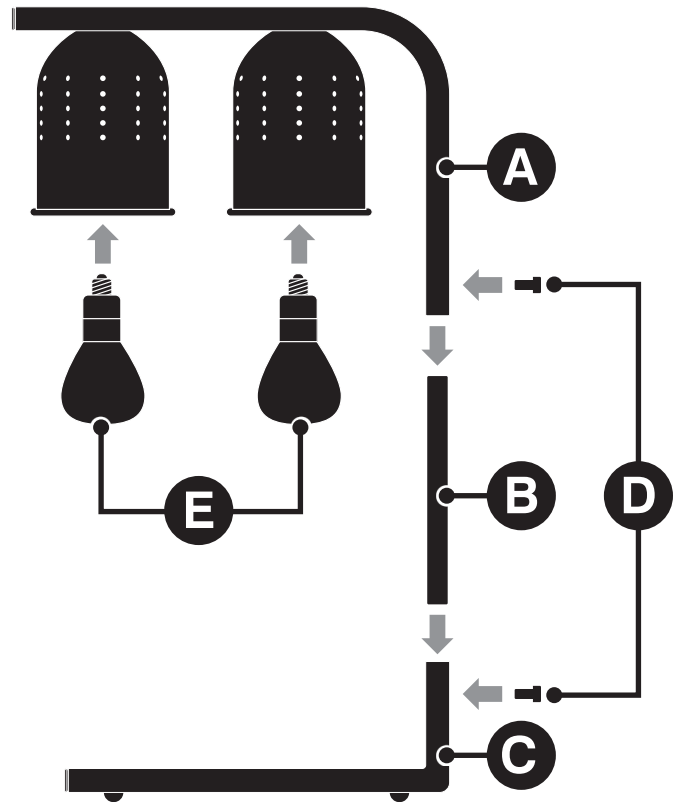
1. This appliance is hot when in use. To avoid burns, do not let bare skin touch hot surfaces. Keep combustible materials, such as drapes and other furnishings, away from appliance.
2. Extreme caution is necessary when any appliance is used by or near children and whenever the appliance is left unattended.
3. Always unplug appliance when not in use and before cleaning, adjusting or maintaining this machine. To disconnect appliance, turn switch off and remove plug from power source.
4. Do not operate any appliance with a damaged cord or plug, after the appliance malfunctions, has been dropped or damaged. Return appliance to an authorized service facility for examination, electrical or mechanical adjustment or repair.
5. Do not use outdoors. This appliance is not intended for wet or moist locations. Never locate appliance where it may fall into water.
6. Connect to properly grounded outlets only. Avoid the use of extension cords. Do not run cord under carpeting or runners. Arrange cord away from traffic area and where it will not create a tripping hazard.
7. This appliance is equipped with a power cord that has a three blade plug. Plug ONLY into a matching three blade outlet. DO NOT cut or break off the third blade or attempt to use with a two blade extension cord.
8. To prevent a possible fire, it is recommended that the unit is placed on a non-combustible surface.
9. This appliance has electrical parts. Do not use in areas where gasoline, paint, or flammable liquids are used or stored.

Features

- Stand can be adjusted from 23¼" - 31½" to control heat intensity.
- (2) clear, shatterproof 250W bulbs included in box.
- Durable aluminum (stainless steel for 177W62SS) construction provides excellent durability at exceptional price.
- Simple on/off control is easy for any employee to use.

Assembly Instructions

1. Place Bottom Lamp Frame (C) on a stable, flat surface.
2. Insert the Middle Lamp Frame (B) into Bottom Lamp Frame (C) and secure with Screw (D).
3. Insert Top Lamp Frame (A) into Middle Lamp Frame (B) and secure with Screw (D).
4. Screw Shatterproof Bulbs (E) into sockets.
5. Plug power cord into appropriate socket and switch unit on to check the bulbs.
6. The appliance is now ready for use.



Operation

1. Plug cord into grounded electrical outlet of the correct voltage. Electrical shock can occur if appliance is not grounded.
2. Place food products in a pan, located directly under the bulbs for best results.
3. Turn unit off when not in use. To disconnect appliance, turn switch off and remove plug from power source.

Cleaning & Maintenance

NOTE: Proper maintenance plays an important part in the life span and functioning of the warmer.

1. Unplug the cord and let warmer cool before cleaning or moving.
2. This unit can be cleaned with a damp sponge and mild soap. Rinse with clean water and wipe dry.
3. Do not immerse in water or other liquid.

Bulb Replacement

NOTE: Each standard heat lamp is suitable for use with clear or infrared heat lamp bulbs rated at or below 250 watts.

1. To replace a bulb, place the switch in the OFF position and allow the bulb to cool completely.
2. Bulbs have a threaded base; unscrew the bulb counterclockwise from the unit and replace with a new bulb.



FOR SAFE AND PROPER OPERATION, DO NOT INSTALL A BULB BEYOND 250 WATTS INTO THE UNIT.

Equipment Limited Warranty

Avantco warrants its equipment to be free from defects in material and workmanship for a period of 1 year. This is the sole and exclusive warranty made by Avantco covering your Avantco brand equipment. A claim under this warranty must be made within **1 year** from the **date of purchase** of the equipment. Only the equipment's original purchaser may make a claim under this warranty. Avantco reserves the right to approve or deny the repair or replacement of any part or repair request. The warranty is not transferable. Avantco Equipment installed in/on a food truck or trailer will be limited to a period of **30 days** from the original date of purchase.

To Make a Warranty Claim:

For Warranty Inquiries contact the location where you purchased the product:

- **WebstaurantStore.com:** Contact help@webstaurantstore.com. Please have your order number ready.
- **The Restaurant Store:** If you purchased this unit from your local store, please contact your store directly.
- **TheRestaurantStore.com:** Online purchases, call 717-392-7261. Please have your order number ready.

Failure to contact the designated location prior to obtaining equipment service may void your warranty.

Avantco makes no other warranties, express or implied, statutory or otherwise, and **HEREBY DISCLAIMS ALL IMPLIED WARRANTIES, INCLUDING THE IMPLIED WARRANTIES OF MERCHANTABILITY AND OF FITNESS FOR A PARTICULAR PURPOSE.**

This Limited Warranty does not cover:

- Equipment sold or used outside the Continental United States
- Use of unfiltered water (if applicable)
- Avantco has the sole discretion on wearable parts not covered under warranty
- Equipment not purchased directly from an authorized dealer
- Equipment used for residential or other non-commercial purposes
- Equipment that has been altered, modified, or repaired by anyone other than an authorized service agency
- Equipment where the serial number plate has been removed or altered.
- Damage or failure due to improper installation, improper utility connection or supply, and issues resulting from improper ventilation or airflow.
- Defects and damage due to improper maintenance, wear and tear, misuse, abuse, vandalism, or Act of God.

Any action for breach of this warranty must be commenced within 1 year of the date on which the breach occurred. No modification of this warranty, or waiver of its terms, shall be effective unless approved in a writing signed by the parties. The laws of the Commonwealth of Pennsylvania shall govern this warranty and the parties' rights and duties under it. Avantco shall not under any circumstances be liable for incidental or consequential damages of any kind, including but not limited to loss of profits.