



MX1200XTX

XPREP® Hi-Power Variable-Speed Food Blender with 64 oz., BPA-Free Copolyester Container



*Made in USA with US and foreign parts.

ELECTRICAL

Voltage: 120

Frequency: 60Hz

Watts: 1560

Amps: 12.5

Plug Type: A

Cord Length: 6 feet



MAIN FEATURES

- Heavy-duty, 3.5 peak HP, high-performance motor with 2-speed selection is the strongest in its class. It powers through the toughest ice and frozen fruit mixtures in seconds
- Super-hig, 45,000 RPM motor speed is ferocious enough for everything from smoothies and frozen drinks to thick spreads, desserts, dressings and all types of food preparation
- Simple HI, LO, ON/OFF and PULSE paddle switches, and variable speed knob are easy to use and easy to find in dimly lit location
- The Raptor® 64 oz., stackable, unbreakable, dishwasher-safe, BPA-free copolyester container
- High-performance, high-impact, stainless steel blade is user replaceable for easy servicing
- Easily removable container cover with removable clear cap for adding ingredients and pressure reduction during hot food blending
- User-replaceable, metal-on-metal, stainless steel coupling system between base and container for durability and reliability
- One-piece, dishwasher-safe, removable jar pad
- Optional sound enclosure easily retrofits to base for noise reduction
- Recommended for 75+ drinks per day
- Limited Three-Year Motor Warranty and Two-Year Parts & Labor Warranty

SALES FEATURES

Get smooth, consistent results every time with the Waring® MX1200XTX. This heavy-duty, 3.5 HP blender teams up with The Raptor® blade and jar assembly for maximum power and efficiency. Rev it up with variable speed controls from 1,500 to 20,000 RPM and a max pulse of 30,000 RPM. Perfect for a busy bar, health facility, school or coffee shop.

XPREP® Hi-Power Variable-Speed Food Blender with 64 oz., BPA-Free Copolyester Container MX1200XTX



@waringcommercial

©2019 Waring Commercial
314 Ella T. Grasso Avenue, Torrington, CT 06790
Tel. 800-492-7464 • Fax 860-496-9008

waringcommercialproducts.com

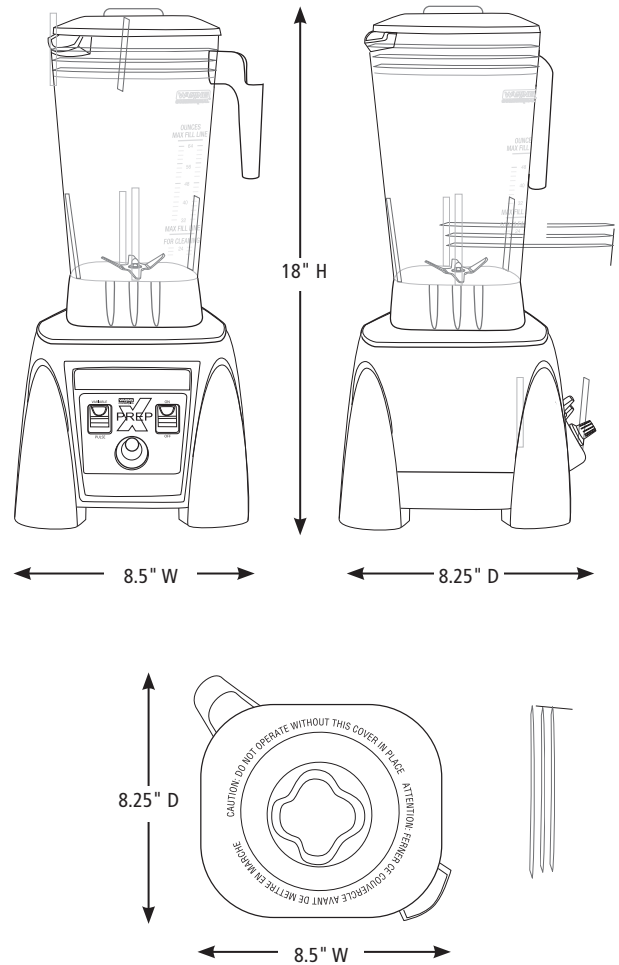


XPREP® Hi-Power Variable-Speed Food Blender with 64 oz., BPA-Free Copolyester Container MX1200TX

PARTS & ACCESSORIES

- | | | | |
|---|---|---|--|
|  | CAC90
64-oz. Stainless Steel Container |  | CAC95-12
64-oz. Green Copolyester Container |
|  | CAC93X
48-oz. Copolyester Container |  | CAC95-28
64-oz. Orange Copolyester Container |
|  | CAC93X-03
48-oz. Yellow Copolyester Container |  | CAC116
Blending Assembly Kit and Retainer Ring Kit |
|  | CAC93X-06
48-oz. Blue Copolyester Container |  | CAC119
Retainer Ring Wrench |
|  | CAC93X-10
48-oz. Purple Copolyester Container |  | CAC158
Blending Assembly Kit |
|  | CAC93X-12
48-oz. Green Copolyester Container |  | CAC159
Retainer Ring Kit |
|  | CAC93X-28
48-oz. Orange Copolyester Container |  | CAC160
Drive Coupling |
|  | CAC95
The Raptor™ – Aggressive, All-Purpose, Stackable, 64-oz. BPA-Free Copolyester Container |  | CAC161
Drive Coupling Removal Tool |
|  | CAC95-03
64-oz. Yellow Copolyester Container |  | CAC169
Spatula – Custom designed for use with MX Series Blenders |
|  | CAC95-06
64-oz. Blue Copolyester Container |  | SE1000
Large Sound Enclosure |
|  | CAC95-10
64-oz. Purple Copolyester Container |  | SE500
Small Sound Enclosure |

DIMENSIONS



Out of Box Weight: 14.64 lb.

ORDERING INFORMATION	#STD. PKG.	GIFTBOX WEIGHT	CUBIC FEET	BOX DIMENSIONS D X W X H	UPC	CASE PKG.	MC WEIGHT	MC DIMENSIONS D X W X H	MBC
MX1200TX– XPREP® Hi-Power Variable Speed Food Blender with 64 oz., BPA-Free Copolyester Container	1	17.1	1.043	11.25" x 10.375" x 15.5"	040072017018	1	18.05	11.75" x 10.875" x 16.25"	10040072017015



@waringcommercial

©2019 Waring Commercial
314 Ella T. Grasso Avenue, Torrington, CT 06790
Tel. 800-492-7464 • Fax 860-496-9008

waringcommercialproducts.com

19WC063866 / REV 11/19