



MX1000XTS

Hi-Power Blender with 64 oz., Stainless Steel Container



Hi-Power Blender with 64 oz., Stainless Steel Container



MAIN FEATURES

- Heavy-duty, 3.5 peak HP, high-performance motor with 2 speed selections is the strongest in its class. It powers through the toughest ice and frozen fruit mixtures in seconds.
- Super-high, 45,000 RPM motor speed for super-smooth consistencies.
- 64 oz. stainless-steel, unbreakable, dishwasher-safe container.
- High-grade, high-impact stainless steel blade is user replaceable for easy servicing.
- User-replaceable, metal-on-metal, stainless steel coupling system for durability and reliability.
- Removable, clear jar cap for adding ingredients and for pressure reduction during hot food blending.
- Optional sound enclosure easily retrofits to base for noise reduction.
- Great for use in smoothie shops, coffee shops, restaurants, and bars.
- Recommended for 75+ drinks per day.
- Limited Three-Year Motor and Two-Year Parts & Labor Warranty.

*Made in USA with US and foreign parts.

ELECTRICAL

Voltage: 120

Frequency: 60Hz

Watts: 1560

Amps: 12.5

Plug Type: A

Cord Length: 6 feet



SALES FEATURES

Get smooth, consistent results every time with the Waring® MX1000XTS. This heavy-duty, powerful, 3.5 HP blender offers maximum power and efficiency with the strongest motor in its class. Clearly marked paddle switches control HI, LO, OFF and PULSE features so you can tear through ice and frozen fruit in seconds.

MX1000XTS



@waringcommercial

©2019 Waring Commercial
314 Ella T. Grasso Avenue, Torrington, CT 06790
Tel. 800-492-7464 • Fax 860-496-9008

waringcommercialproducts.com



Hi-Power Blender with 64 oz., Stainless Steel Container MX1000XTS

PARTS & ACCESSORIES



CAC90
64 oz. Stainless-Steel Container



CAC93X
48 oz. Copolyester Container



CAC93X-03
48 oz. Yellow Copolyester Container



CAC93X-06
48 oz. Blue Copolyester Container



CAC93X-10
48 oz. Purple Copolyester Container



CAC93X-12
48 oz. Green Copolyester Container



CAC93X-28
48 oz. Orange Copolyester Container



CAC95
The Raptor® – Aggressive, All-Purpose, Stackable, 64 oz., BPA-Free Copolyester Container



CAC95-03
64 oz. Yellow Copolyester Container



CAC95-06
64 oz. Blue Copolyester Container



CAC95-10
64-oz. Purple Copolyester Container



CAC95-12
64 oz. Green Copolyester Container



CAC95-28
64 oz. Orange Copolyester Container



CAC116
Blending Assembly Kit and Retainer Ring Kit



CAC119
Retainer Ring Wrench



CAC158
Blending Assembly Kit



CAC159
Retainer Ring Kit



CAC160
Drive Coupling



CAC161
Drive Coupling Removal Tool



CAC169
Spatula – Custom designed for use with MX Series Blenders

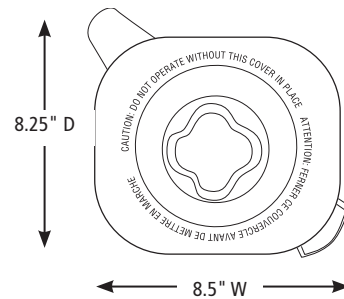
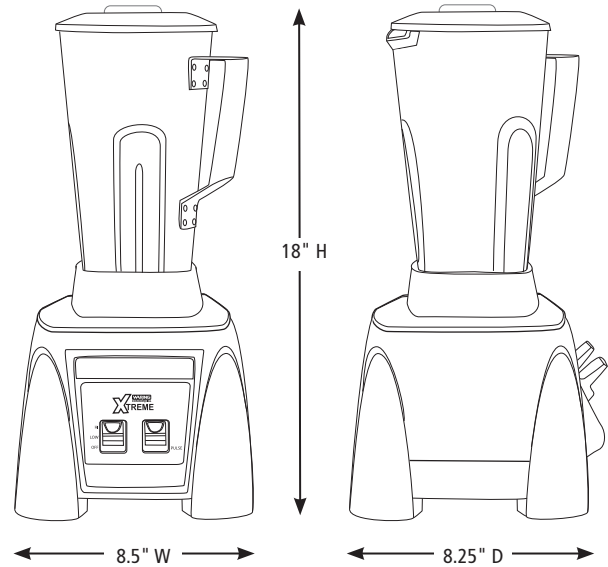


SE1000
Large Sound Enclosure



SE500
Small Sound Enclosure

DIMENSIONS



Out of Box Weight: 11.71 lb.

ORDERING INFORMATION	#STD. PKG.	GIFTBOX WEIGHT	CUBIC FEET	BOX DIMENSIONS D X W X H	UPC	CASE PKG.	MC WEIGHT	MC DIMENSIONS D X W X H	MBC
MX1000XTS– Hi-Power Blender with 64 oz. Stainless Steel Container	1	17.75	1.035	11.5" x 10.375" x 15.5"	040072006685	1	17.75	11.875" x 10.625" x 16.125"	10040072006682



@waringcommercial

©2019 Waring Commercial
314 Ella T. Grasso Avenue, Torrington, CT 06790
Tel. 800-492-7464 • Fax 860-496-9008

waringcommercialproducts.com

19WC063859 / REV 09/19