



Item #: 194KMCF530LA Project: _____

Qty: _____ Date: _____ Approval: _____

Avantco Ice KMC-F-530-LA 30" Air Cooled Modular Full Cube Ice Machine with Ice Bin - 497 lb.

Item #194KMCF530LA



Technical Data

| | |
|---------------------|---------------|
| Width | 30 1/2 Inches |
| Depth | 34 Inches |
| Height | 73 3/8 Inches |
| Bin Width | 30 1/2 Inches |
| Ice Dispenser Width | 30 1/2 Inches |
| Ice Machine Width | 30 Inches |
| Bin Depth | 34 Inches |
| Ice Machine Depth | 24 3/8 Inches |
| Bin Height | 51 Inches |
| Ice Machine Height | 22 3/8 Inches |

Features

- Makes up to 497 lb. of full cube ice per day; Ice storage bin capacity 536 lb.
- Durable roto plastic finish exterior with a polyethylene interior
- Digital controller allows user to quickly identify issues and the current stage of production
- Includes bright LED lights and a removable air filter
- R290 refrigerant; 115V

Certifications



5-15P



ETL Sanitation



ETL, US & Canada



3/4" Water Connection

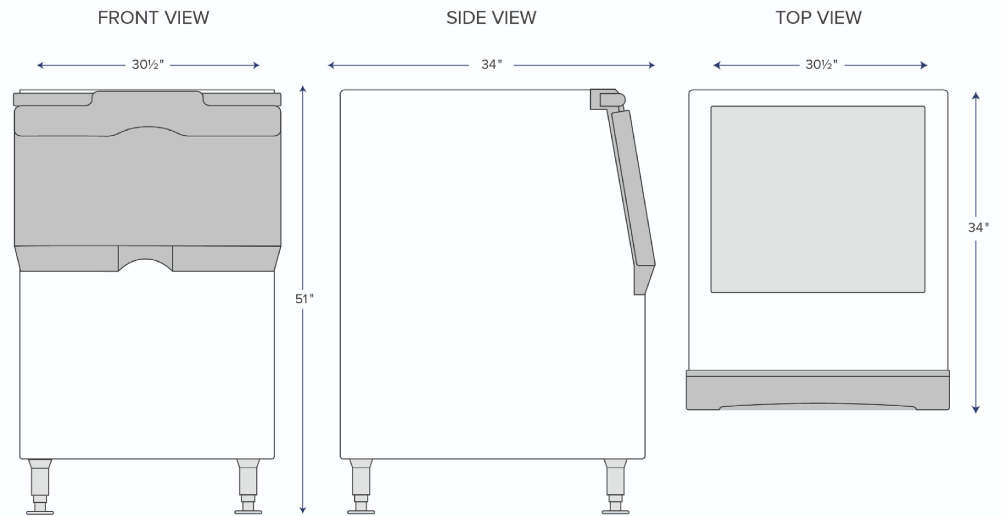
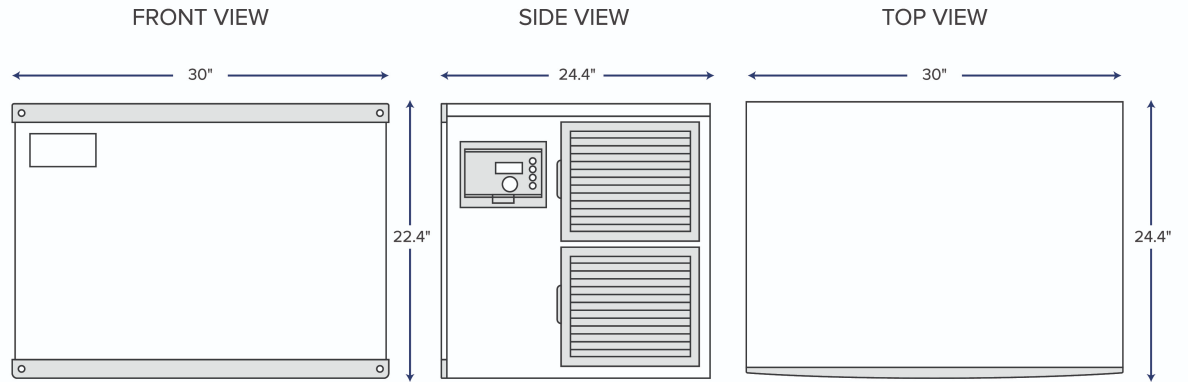
Avantco Ice Machines



Technical Data

| | |
|---------------------------|---------------------------|
| Amps | 13.5 Amps |
| Phase | 1 Phase |
| Voltage | 115 Volts |
| 24 Hour Ice Yield | 497 Pounds |
| Ambient Temperature Range | 40 - 90 Degrees F |
| Average Running Decibels | 73 Decibels |
| Bin Storage Capacity | 536 lb. |
| BTU Per Hour | 3798 BTU |
| Color | Silver |
| Condenser Type | Air Cooled |
| Drain Outlet Size | 3/4 Inches |
| Exterior Material | Roto Plastic Finish |
| Features | LED Lighting |
| Ice Type | Full Size Cubes |
| Installation Type | Modular |
| Interior Material | Polyethylene |
| Plug Type | NEMA 5-15P |
| Power kWh/100 lbs. Ice | 4.7 kWh |
| Refrigerant Type | R-290 |
| Type | Ice Machines with Bins |
| Water Pressure Range | 18 3/4 - 80 PSI |
| Water Temperature Range | 40 - 90 Degrees F |
| Water Usage | 13.6 Gallons per 100 lbs. |

Plan View





Notes & Details

Make sure you've always got plenty of fresh ice on hand with the Avantco Ice KMC-F-530-LA 30" air cooled modular full cube ice machine with bin! Capable of producing up to 497 lb. of full cube ice per day, you'll always have plenty of ice to serve on demand at your restaurant, bar, or cafe. An included ice bin holds up to an impressive 536 lb. of ice, making it ideal for busy establishments that can not afford long periods of down-time while ice is being made. The ice bin features a durable roto plastic exterior with a polyethylene interior. Also included is an ice scoop, a scoop holder ledge just inside the door where the ice scoop leans, and a hook to hang it on for easy storage.

For ease of maintenance, a built-in diagnostic system will identify problems that your ice machine may be having and will display the issue on the digital controller so it can be repaired accordingly. This easy-to-use controller can also be used to monitor the current stage of ice production that your machine is in. It allows you to adjust the bridge thickness up or down to maximize your harvest into individual cubes of ice, rather than full sheets. It also initiates the cleaning cycle and displays what stage of the cycle you're in. Plus, the ice bin has a 3/4 FTP drain fitting.

The ice machine is constructed of durable roto plastic finish with a polyethylene interior to last in the busiest of commercial environments. A nickel plated evaporator and removable air filter make for quick and simple cleaning and maintenance. With (4) 6" adjustable legs, you can level your machine on uneven surfaces and have plenty of room to clean under it. This ice machine also comes with pre-drilled holes on the back of the unit to mount your OceanLoch water filter to the machine to ensure you are serving the cleanest and freshest ice possible. Designed for side-breathing and rear exhaust, you can avoid hot air being blown outward into your kitchen or service area. This unit requires a 115V electrical connection for operation.

⚠ WARNING: This product can expose you to chemicals including lead, which are known to the State of California to cause cancer, birth defects, or other reproductive harm. For more information, go to www.p65warnings.ca.gov.