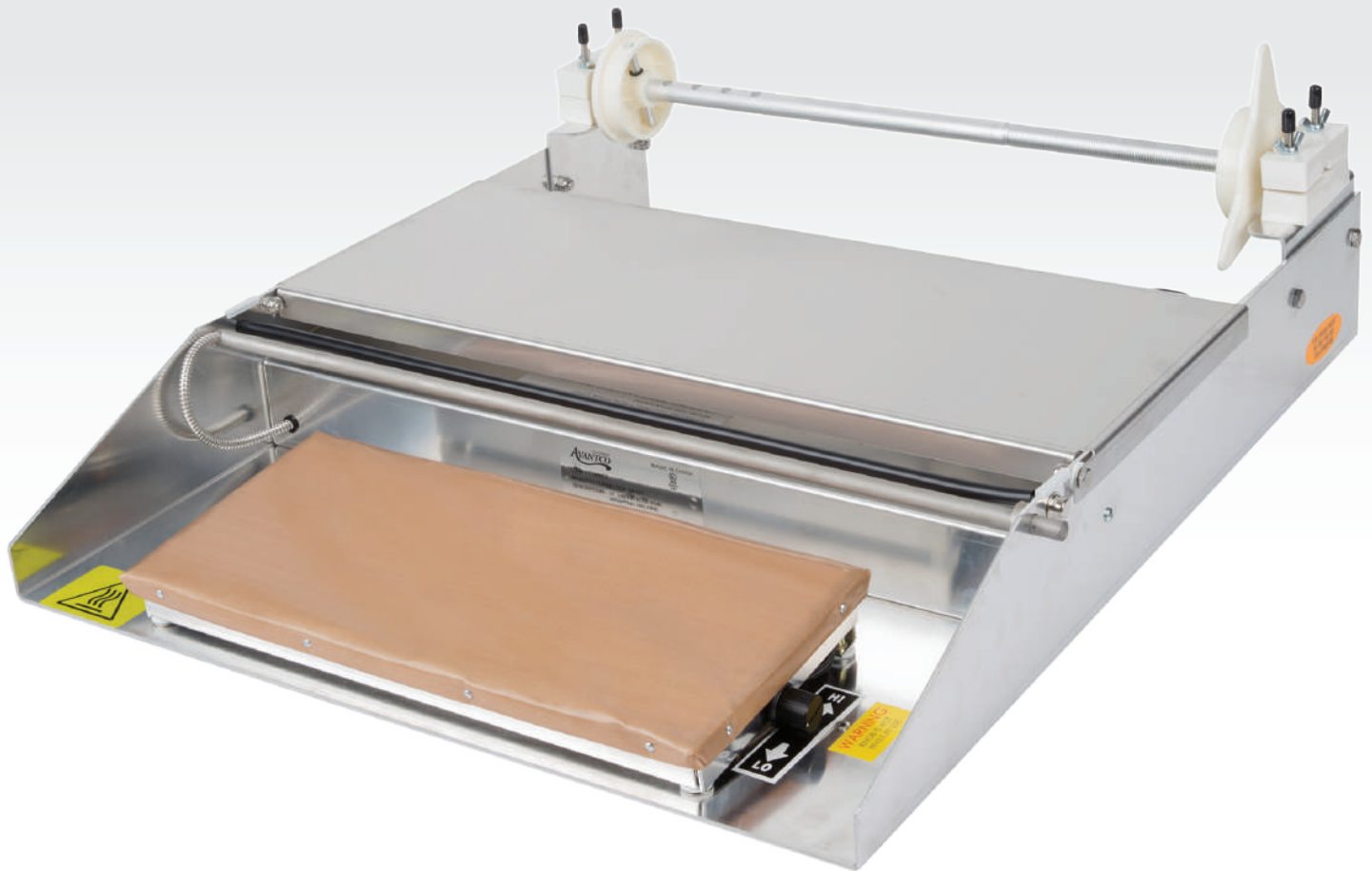


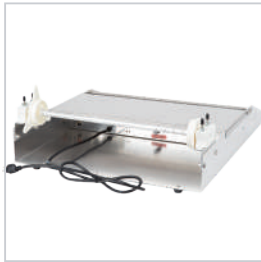
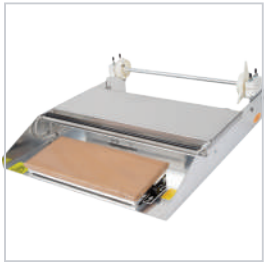
WM Series Film Roll Wrapping Machine



Quickly wrap and store food in your grocery store, deli, or restaurant with this Avantco WM-18 single roll film wrapping machine. Perfect for fast and easy wrapping tasks that instantly increase the freshness of your operation's offerings, this unit will serve as a welcome addition to any prep area.

- Single roll capacity
- Accepts film rolls up to 18" long
- 6" x 15" Teflon®-coated hot plate
- Stainless steel construction
- Easy-access on/off toggle switches





Description

Quickly wrap and store food in your grocery store, deli, or restaurant with this Avantco WM-18 single roll film wrapping machine. This unit features a 6" x 15" Teflon®-coated hot plate with 750 watts of heating power, providing an air-tight seal for your wrapped food that preserves freshness. Perfect for fast-paced applications, the plate is heated to provide dependable warmth for effortless sealing, plus a stick-resistant design eliminates the potential for your wrapping film to tear or slip off the unit's surface. This versatile machine can hold one roll of plastic wrap up to 18" long with an 8" diameter and 3" core.

Stainless steel construction ensures long-lasting durability, while easy-access on/off toggle controls add extra user convenience. Perfect for fast and easy wrapping tasks that instantly increase the freshness of your operation's offerings, this unit will serve as a welcome addition to any prep area. The Avantco WM-18 wrapping machine requires a 115V electrical connection and comes with a cord and plug.

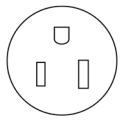
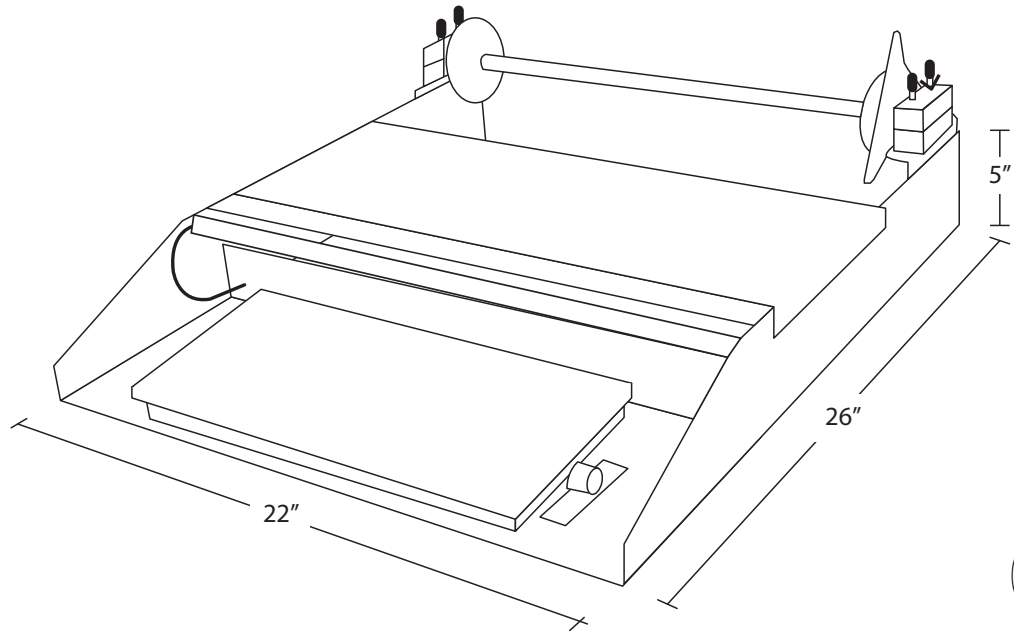
Features

- Accepts rolls up to 18" long
- Single roll capacity
- 6" x 15" Teflon®-coated hot plate
- Stainless steel construction
- Easy-access on/off toggle switch
- Provides an air-tight seal to preserve freshness
- Designed for outstanding durability and long life
- 115V, 750W; Includes cord with plug

Technical Data

Dimensions	22"W x 26"D x 5"H
Watts	750W
Voltage/Power	115V
Roll Capacity	Single
Roll Size	up to 18" Long
Construction	Stainless steel

Plan View



NEMA 5-15P