

**PROJECT:** \_\_\_\_\_

**LOCATION:** \_\_\_\_\_

**ITEM#:** \_\_\_\_\_

**QUANTITY:** \_\_\_\_\_

**C-SP27-12BT-HC**

**C-SP48-18BT-HC**

**C-SP60-24BT-HC**

**C-SP72-30BT-HC**

# BIG TOP SANDWICH PREPARATION TABLES

- Beautiful ergonomic construction & rounded corners
- Digital Controller with Temperature Read-out
- All stainless steel exterior and interior
- Forced air refrigeration system
- 9<sup>1/4</sup>" deep cutting board included
- Recessed door handles
- Pre-installed casters and shelving
- 90 degree hold open door feature for loading products
- All Natural R290 Hydrocarbon Refrigerant
- US Department of Energy Certified
- Migali® Protection Plan: 1 Year Parts & Labor Warranty, 5 Years Compressor Warranty

MODEL	DOORS	NUM. OF (1/6) SIZE PANS*	CAPACITY CU/FT	SHELVES	H/P	AMPS	VOLTAGE	ENERGY CONSUMPTION KWH/24 HR	PLUG TYPE	TEMP RANGE	EXTERIOR DIMENSIONS W X D X H*	INSIDE DIMENSIONS W X D X H**	PACKAGED DIMENSIONS W X D X H**	WEIGHT	PACKAGED WEIGHT
C-SP27-12BT-HC	1	12	6.5	1	1/4	3.3	115/60/1	1.6	Nema 5-15P	+33° F (~) +41° F	27.5" x 34" x 47.1"	23.9" x 23.6" x 26.4"	30" x 37" x 51"	189 lbs.	198 lbs.
C-SP48-18BT-HC	2	18	12	2	1/3	5.1	115/60/1	1.9	Nema 5-15P	+33° F (~) +41° F	48.2" x 34" x 47.1"	44.7" x 23.6" x 26.4"	51" x 37" x 51"	253 lbs.	280 lbs.
C-SP60-24BT-HC	2	24	18.2	2	1/2	5.1	115/60/1	2.1	Nema 5-15P	+33° F (~) +41° F	60.2" x 34" x 47.1"	56.7" x 23.6" x 26.4"	64" x 37" x 51"	308 lbs.	323 lbs.
C-SP72-30BT-HC	3	30	24.5	3	1/2	5.7	115/60/1	2.3	Nema 5-15P	+33° F (~) +41° F	72.7" x 34" x 47.1"	56.7" x 23.6" x 26.4"	75" x 37" x 51"	362 lbs.	374 lbs.

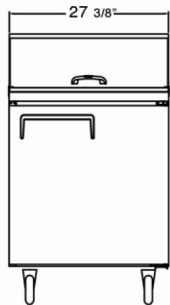
\* Pans are not included

\*\* Total height includes casters

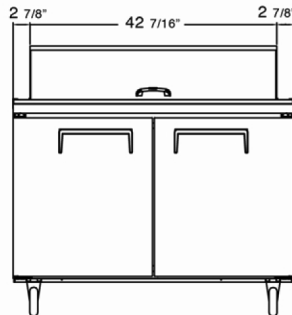
**NOTE: MIGALI® RESERVES THE RIGHT TO CHANGE SPECIFICATIONS WITHOUT NOTICE**

# DIMENSIONAL DRAWINGS

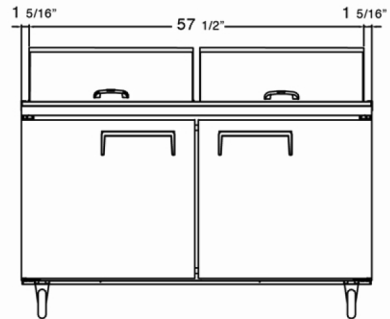
**C-SP27-12BT-**



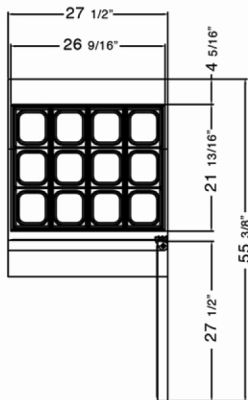
**C-SP48-18BT-**



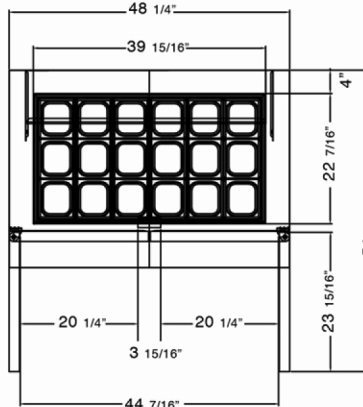
**C-SP60-24BT-**



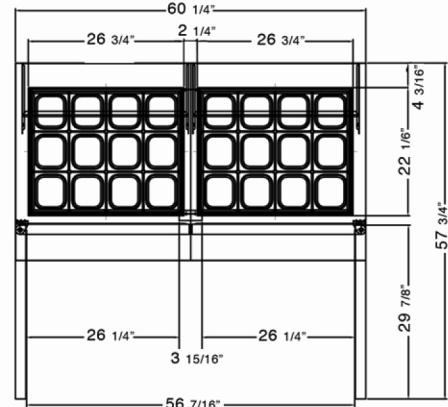
**C-SP27-12BT-HC  
TOP VIEW**



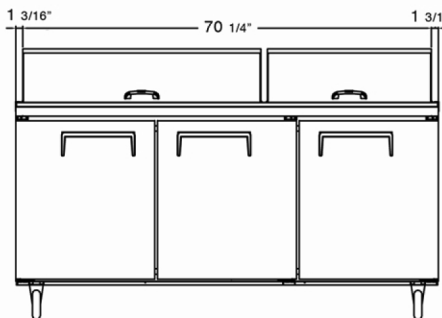
**C-SP48-18BT-HC  
TOP VIEW**



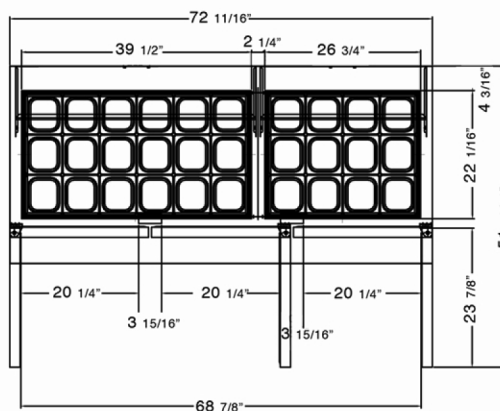
**C-SP60-24BT-HC  
TOP VIEW**



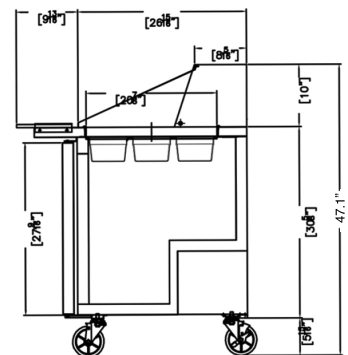
**C-SP72-30BT-HC**



**C-SP72-30BT-HC TOP VIEW**



**SIDE VIEW(1,2,3)**



MIGALI® REMAINS AN AMERICAN FAMILY COMPANY SINCE 1955