



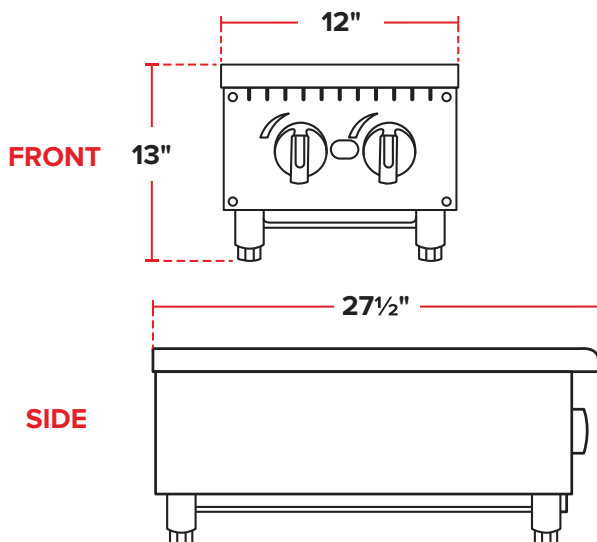
2 Burner Gas Countertop Range

ITEM NUMBER

#177AGR212

SPECIAL FEATURES

- 2 burners at 25,000 BTU each
- Standing pilots for ease of use
- Durable stainless steel body withstands tough kitchen environments
- Field convertible to liquid propane
- 3/4" rear gas connection



RECOMMENDED COMPANION PRODUCTS

Item Number	Product Description
147FORMULAD	Noble Chemical Formula-D Decarbonizer and Degreaser
600GKS3448	Regency Gas Connector Hose Kit

TECHNICAL DATA

Dimensions	12"W x 27 1/2"D x 13"H
Number of Burners	2
BTU/Burner	25,000
Total BTU	50,000
Controls	Infinite

