



WFG250T

Large Italian-Style Flat Grill with Timer



Large Italian-Style Flat Grill with Timer



MAIN FEATURES

- Flat cast-iron plates for even heat distribution
- 14.5" x 11" cooking surface is perfect for pressing or grilling panini sandwiches, hamburgers, chicken, vegetables and more
- Brushed stainless steel body construction and removable drip tray
- Hinged, auto-balancing top plate to accommodate foods up to 3" thick
- Adjustable thermostat to 570°F
- Adjustable back feet for easy grease drainage
- Power ON and READY indicator lights
- Heat-resistant handles; no need for mitts or potholders
- Improve time management with timer feature
- Limited One Year Warranty

ELECTRICAL

Voltage: 120

Frequency: 60Hz

Watts: 1800

Amps: 15

Plug Type: NEMA 5-15P 

Cord Length: 5 feet



SALES FEATURES

Make all of your signature sandwiches and more with the 120V Waring® WFG250T Large Italian-Style Flat Grill. Flat cast-iron plates heat evenly and quickly to cook sandwiches, burgers, chicken, and vegetables up to 3" thick. The brushed stainless steel body and removable drip tray are easy to clean. Includes adjustable thermostat to 570°F, plus POWER and READY indicator lights, and timer.



@waringcommercial

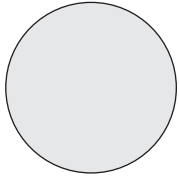
©2020 Waring Commercial
314 Ella T. Grasso Avenue, Torrington, CT 06790
Tel. 800-492-7464 • Fax 860-496-9008

waringcommercialproducts.com

WFG250T



INCLUDED ACCESSORIES



CAC105 Cleaning Brush

OPTIONAL ACCESSORIES



CAC144 Silicone Spatula
for use with
Nonstick PTFE Sheets



029824 Allen Wrench



035551 Allen Wrench Holder

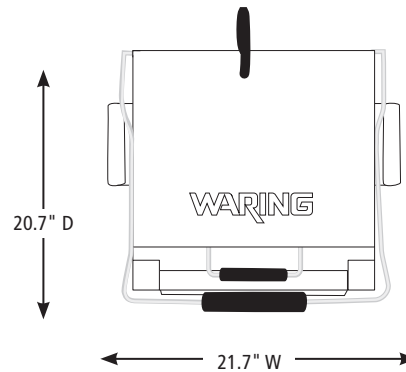
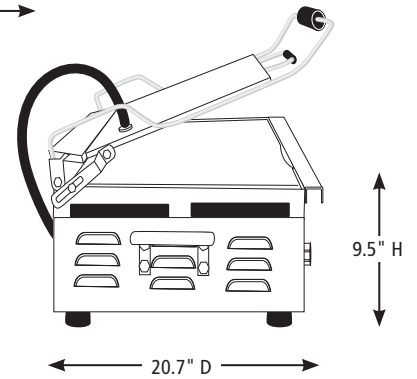
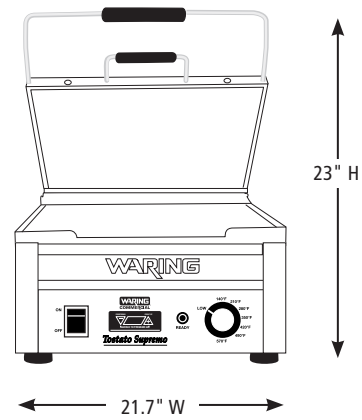


CAC171 Conversion Kit
with Clips and
3-Pack PTFE Sheets
(3 upper and
3 lower sheets)



CAC178 3-pack of
Custom PTFE Sheets
(3 upper and
3 lower sheets)

DIMENSIONS



Out of Box Weight: 73 lb.

ORDERING INFORMATION	#STD. PKG.	GIFTBOX WEIGHT	CUBIC FEET	BOX DIMENSIONS D X W X H	UPC	CASE PKG.	MC WEIGHT	MC DIMENSIONS D X W X H	MBC
WFG250T – Large Italian-Style Flat Grill with Timer	1	73	3.54	21.5" x 20.75" x 13.75"	040072024610	1	76.7	22.25" x 21.625" x 14.375"	10040072024617



@waringcommercial

©2020 Waring Commercial
314 Ella T. Grasso Avenue, Torrington, CT 06790
Tel. 800-492-7464 • Fax 860-496-9008

waringcommercialproducts.com

20WC074567 / REV 06/20