



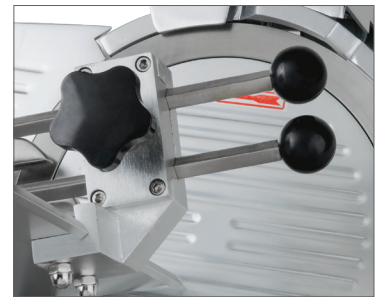
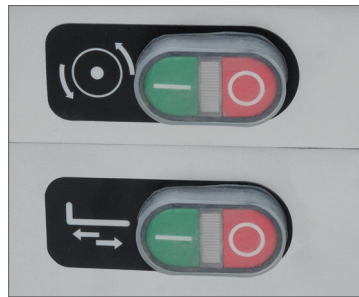
12" Medium-Duty Automatic Meat Slicer

ITEM NUMBER

#177SL612A

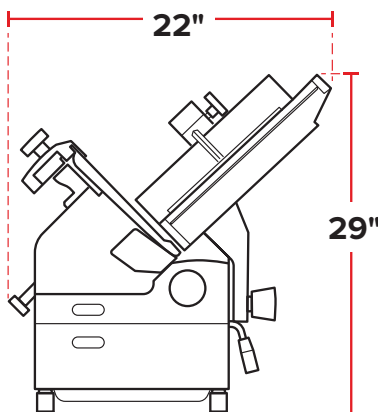
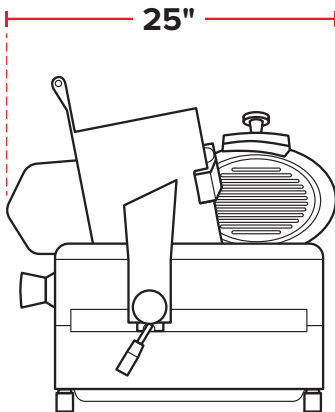
SPECIAL FEATURES

- Razor sharp 12" stainless steel blade cuts slices up to 9/16" thick
- Convenient rear-mounted thickness stop allows for quick adjustment to commonly used thicknesses
- 40 slice/minute chute speed in automatic mode; simple knob switches to manual operation
- Adjustable horizontal clamps secure irregular shaped products for precise slicing
- Large 15½" x 10½" carriage and 1/2 hp motor



FRONT

SIDE



TECHNICAL DATA

Width	25"
Depth	22"
Height	29"
Hertz	60Hz
Voltage	120V
Blade Size	12"
Horsepower	1/2 hp
Operation	Automatic
Cut Capacity	15½" x 10½"
Maximum Slice Size	9/16"



5-15P

PROJECT: _____

MODEL: _____

ITEM #: _____ QUANTITY: _____

APPROVAL: _____ DATE: _____

12" Medium-Duty Automatic Meat Slicer #177SL612A

RECOMMENDED COMPANION PRODUCTS



LUBRIQUIK



#148LUBRIQUIK

- Food Grade Aerosol Si-Dry Silicone Lubricant
- Contains no ozone depleters or carcinogens
- Misty Si-Dry food safe silicone spray alternative
- Colorless, odorless, heat stable and non-staining
- USDA Approved



QUICKSAN



#147QUICKSAN

- Food Contact and Surface Sanitizer
- Eliminate 99.99% of harmful bacteria
- Ready-to-use



FORMULA-D



#147FORMULAD

- Decarbonizer and Degreaser
- Non-abrasive
- Powerful penetrating formula
- Ready-to-use

MEAT SLICER CLEANING KIT

#579SLICKERKIT

- Includes 8-piece cleaning kit and detailed instructions
- Quickly cleans, sanitizes, and lubricates meat slicers
- Brush provides access to hard-to-reach areas
- Cut-resistant glove offers additional protection
- Essential for delis, grocery stores, and butcher shops

