



# 13" Medium-Duty Automatic Meat Slicer

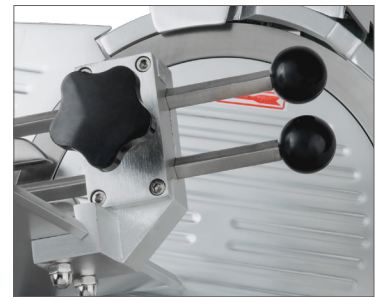
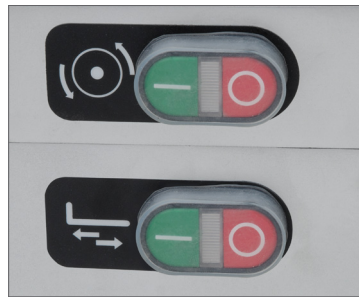
with Manual Use Options

## ITEM NUMBER

#177SL713A

## SPECIAL FEATURES

- Razor sharp 13" stainless steel blade cuts slices up to 9/16" thick
- Convenient rear-mounted thickness stop allows for quick adjustment to commonly used thicknesses
- 40 slice/minute chute speed with automatic operation for speed and efficiency
- Adjustable horizontal clamps secure irregular shaped products for precise slicing
- Large 15 1/2" x 10 1/2" carriage and 3/4 hp motor; 120V



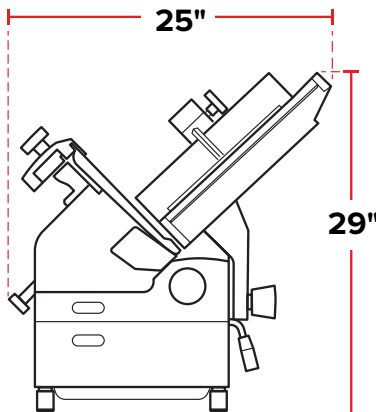
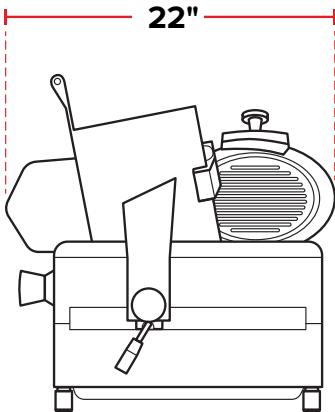
**FRONT**

22"

**SIDE**

25"

29"



## TECHNICAL DATA

Width	22"
Depth	25"
Height	29"
Amps	5.25
Voltage	120V
Blade Size	13"
Horsepower	3/4 hp
Operation	Automatic/Manual
Cut Capacity	15 1/2" x 10 1/2"
Maximum Slice Size	9/16"



**5-15P**