

PROJECT: \_\_\_\_\_

LOCATION: \_\_\_\_\_

ITEM#: \_\_\_\_\_

QUANTITY: \_\_\_\_\_


**C-2RB-35-HC**

**C-2FB-35-HC**

# SPACE SAVING TWO DOOR REACH-INS

- Beautiful ergonomic construction & rounded corners
- Digital temperature controller & read-out
- All stainless steel exterior and interior
- Forced air refrigeration system
- Recessed door handles
- LED Interior Lighting
- Door locks
- 90 degree hold open door feature for loading products
- Migali® Protection Plan: 1 Year Parts & Labor Warranty, 5 Years Compressor Warranty
- Bottom mount compressor for enhanced efficiency
- Pre-installed casters and shelving
- Auto-defrost
- Air plenum across back wall for even temperature distribution throughout cabinet interior
- All Natural R290 Hydrocarbon Refrigerant
- US Department of Energy Certified

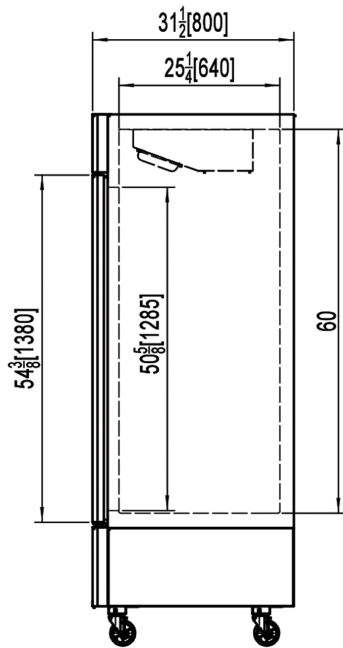
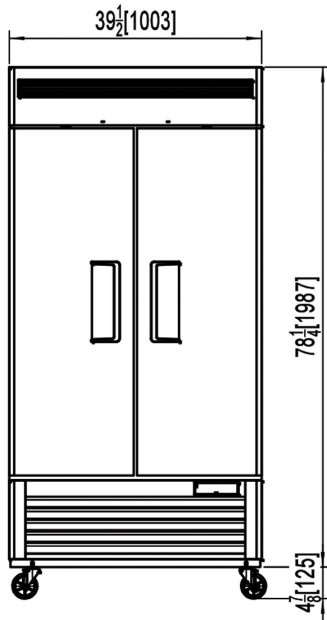
MODEL	DOORS	CAPACITY CU/FT	SHELVES	H/P	AMPS	VOLTAGE	ENERGY CONSUMPTION KWH/24 HR	PLUG TYPE	EXTERIOR DIMENSIONS W X D X H*	INSIDE DIMENSIONS W X D X H**	PACKAGED DIMENSIONS W X D X H**	WEIGHT	PACKAGED WEIGHT
C-2RB-35-HC	2	35	6	1/5	3.20	115/60/1	2.58	Nema 5-15P	39 1/2" x 31 1/2" x 83 1/9"	35" x 25 1/5" x 60"	41" x 33" x 85 4/5"	317 lbs.	362 lbs.
C-2FB-35-HC	2	35	6	3/4	8.60	115/60/1	7.52	Nema 5-15P	39 1/2" x 31 1/2" x 83 1/9"	35" x 25 1/5" x 60"	41" x 33" x 85 4/5"	331 lbs.	375 lbs.

\* Total height includes casters

NOTE: MIGALI® RESERVES THE RIGHT TO CHANGE SPECIFICATIONS WITHOUT NOTICE

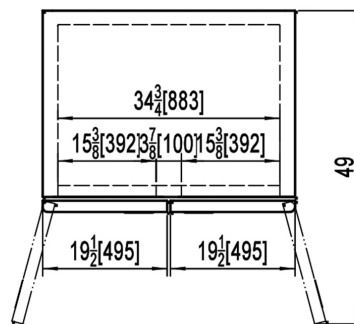
# DIMENSIONAL DRAWINGS

## C-2RB-35-HC & C-2FB-35-HC Front View



**SIDE VIEW**

**TOP VIEW**



**Migali**<sup>®</sup>

MIGALI<sup>®</sup> REMAINS AN AMERICAN FAMILY COMPANY SINCE 1955