

PROJECT:	_____
LOCATION:	_____
ITEM#:	_____
QUANTITY:	_____

COMPETITOR SERIES®

C-SM-36-NG/LP

SALAMANDER BROILERS

- Stainless steel exterior and interior
- Dual valve controls for left and right-side independent operation
- Two (2) 21,500 BTU high efficiency ceramic infrared burners and standby pilots – totals 43,000 BTU's
- 1 Minute pre-heat time
- 4 position rack adjustments on salamander broiler
- One(1) removable broiler chrome rack
- Range mount kit ships with Salamander Broiler
- Manual ignition of burners
- Natural gas or liquid propane configuration
- Migali Industries® Protection Plan: 2 Years Parts & Labor Warranty

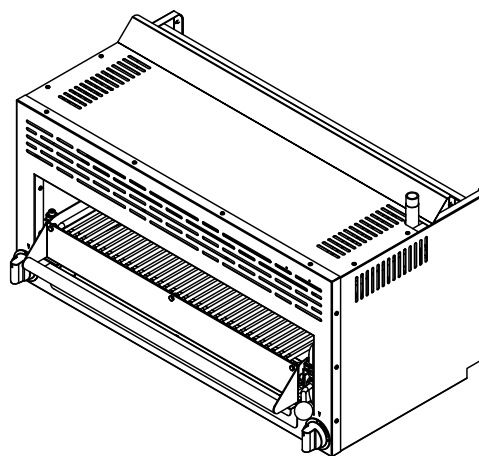
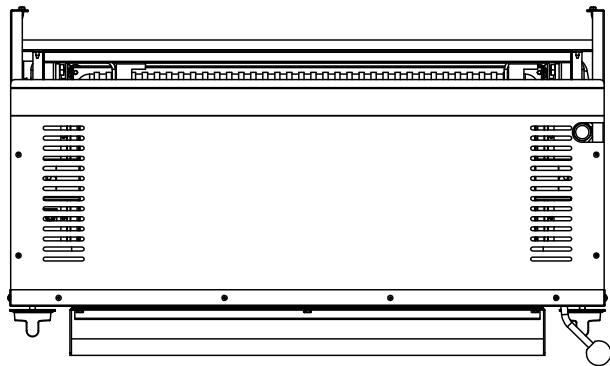
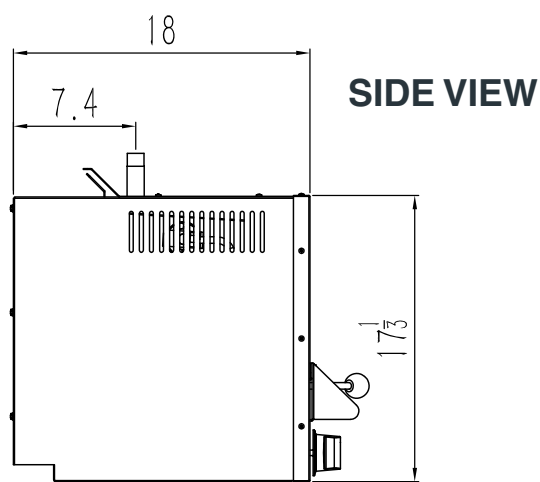
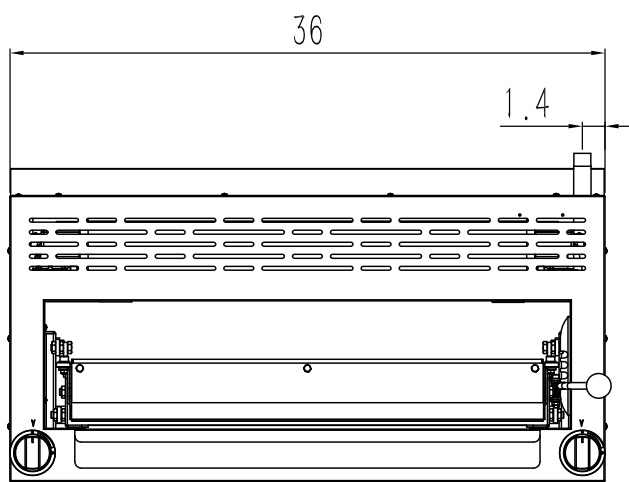
MODEL	BURNERS AND CONTROL METHOD	COUNT OF BURNERS	GAS SPECS	INTAKE-TUBE PRESSURE (IN W.C.)	PER BTU (B.T.U./h)	TOTAL BTU (B.T.U./h)	NOZZLE NO.	EXTERIOR DIMENSIONS W X D X H (INCHES)*	INTERIOR DIMENSIONS W X D X H (INCHES)*	PACKAGING DIMENSIONS W X D X H (INCHES)	WEIGHT	PACKAGED WEIGHT
C-SM-36-NG	2 Burners Independent Manual Control	2	NG	5	21,500	43,000	NG47	36 x 18 x 17 1/3	31 4/5 x 15 1/2 x 4	40 x 24 3/5 x 25 2/5	140 lbs.	165 lbs.
C-SM-36-LP	2 Burners Independent Manual Control	2	LP	10	21,500	43,000	LP54	36 x 18 x 17 1/3	31 4/5 x 15 1/2 x 4	40 x 24 3/5 x 25 2/5	140 lbs.	165 lbs.

Optional wall mount bracket part # 1988-54

*MIGALI RESERVES THE RIGHT TO CHANGE SPECIFICATIONS WITHOUT NOTICE

DIMENSIONAL DRAWINGS

C-SM-36-NG/LP



Migali®

MIGALI® REMAINS AN AMERICAN FAMILY COMPANY SINCE 1955