

APPLICATION:

PRODUCT NAME:
DOUBLE KNEE CONTROL VALVE FLOOR MOUNT

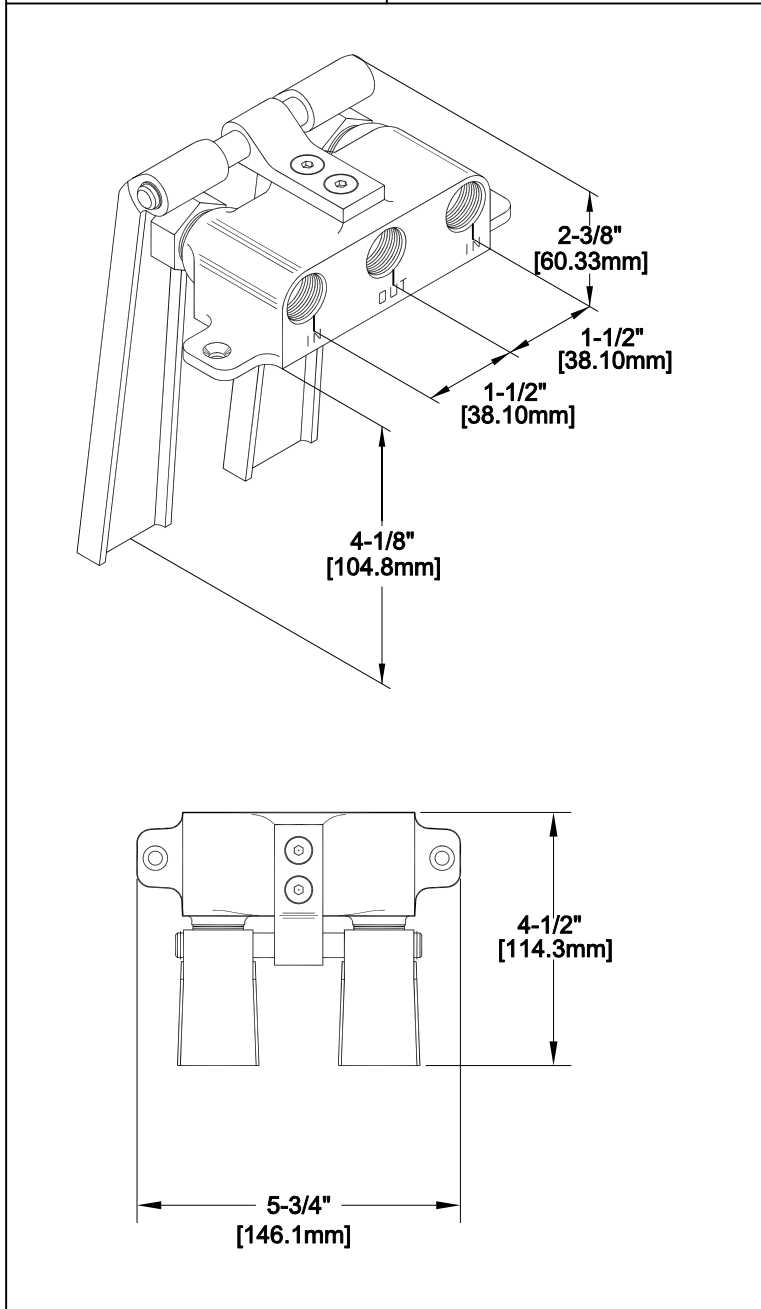
JOB NAME:

SPECIAL CONFIGURATION
 CHECK BASE MODEL AND OPTIONS

QUANTITY:

ITEM NO.

MODEL:
 3174



OPTIONS OR MODIFICATIONS:

- SUPPLY LINES (24" OR 36") CIRCLE LENGTH**
- NIPPLES**
- ELBOWS**
- HANDLES (CROSS OR WRIST) CIRCLE STYLE**
- VANDAL RESISTANT KIT**
- OTHER _____**

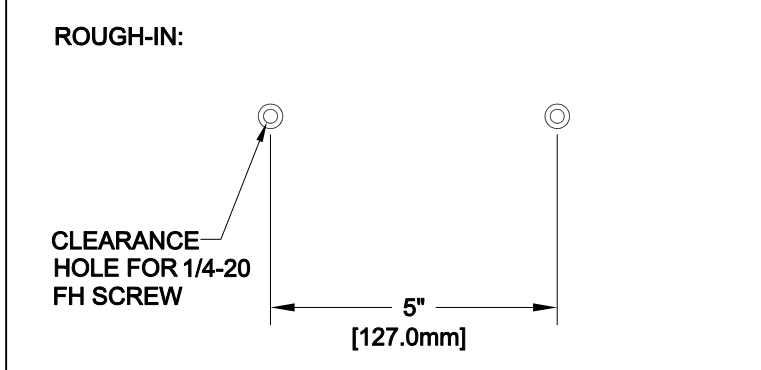
FEATURES

- * **PEDAL ANODIZED ALUMINUM**
- * **CYLINDER CLOSES WITH WATER FLOW**
- * **POLISHED CHROME**

RECOMMENDED SETTINGS
 * **110°F AT 80 PSI**

SYSTEM LIMITS
 * **TEMP: 40°F MIN. TO 140°F MAX.**
 * **PRESSURE 200 PSI MAX. STATIC**

SHIPPING WEIGHT
 * **3.5 LBS**



ANSI/A112.18.1M

FISHER MANUFACTURING COMPANY
 TOLL FREE: 800-421-6162 - FAX: 800-832-8238
 information@fisher-mfg.com - www.fisher-mfg.com