

PROJECT: _____

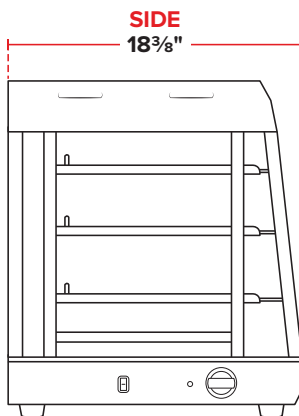
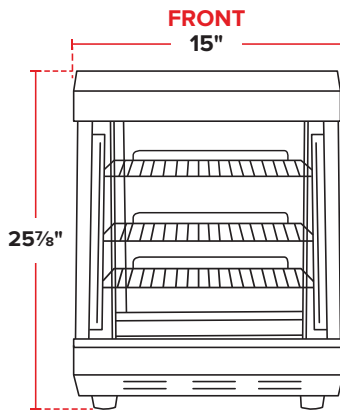
MODEL: _____

ITEM #: _____ QUANTITY: _____

APPROVAL: _____ DATE: _____



*Item is pictured without a front door, but does have a front opening door.



13" Self Service, 3 Shelf Heated Display Warmer with Hinged Doors

ITEM NUMBER

#177HDC13

SPECIAL FEATURES

- Front and rear hinged door for convenient self service and easy refilling by staff
- Adjustable rack with 3 shelves and 20 adjustment heights
- Thermostatic temperature controls adjust from 85-185°F
- Fast pre-heat time; reaches 120°F in 10 minutes
- Durable stainless steel body and racks with a sleek black finish



TECHNICAL DATA

Dimensions	15" x 18 ³ / ₈ " x 25 ⁷ / ₈ "
Number of Shelves	3
Hertz	60
Voltage	110V
Wattage	1200W
Control Type	Thermostatic
Installation Type	Countertop
Front & Back Door Type	Hinged



Intertek



5-15P