

PROJECT: _____

MODEL: _____

ITEM #: _____ QUANTITY: _____

APPROVAL: _____ DATE: _____

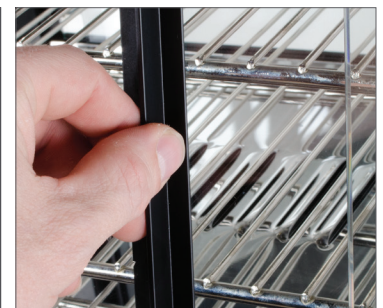
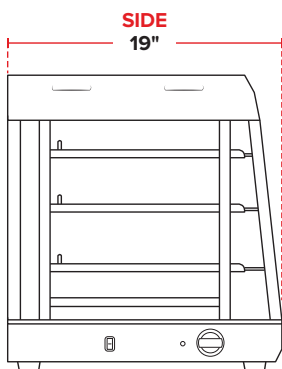
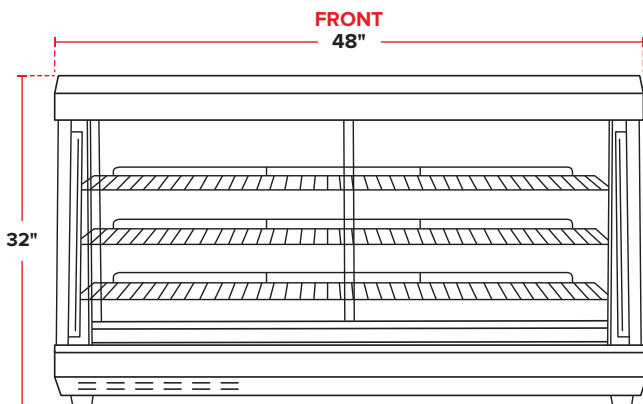
48" Self Service, 3 Shelf Heated Display Warmer with Sliding Doors

ITEM NUMBER

#177HDC48

SPECIAL FEATURES

- Front and rear sliding doors for convenient self service and easy refilling by staff
- Thermostatic temperature controls adjust from 85-185°F
- Fast pre-heat time; reaches 120°F in 10 minutes
- Durable stainless steel body and racks with a sleek black finish
- Independent light switch; 2 interior lamps to illuminate wrapped food



TECHNICAL DATA

Dimensions	48" x 19" x 32"
Number of Shelves	3
Amps	13.6
Hertz	60
Voltage	110V
Wattage	1500W
Control Type	Thermostatic
Installation Type	Countertop



5-15P